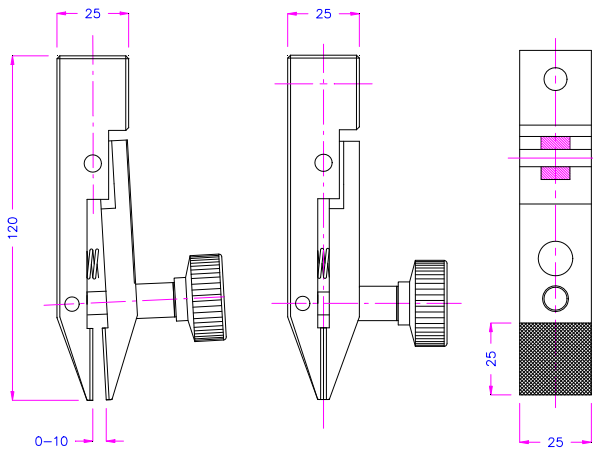


## Small vice grip 2 kN

Versatile, easy to use. Applicable for small components, for example electronic components.

Clamping surfaces serrated on both sides (pyramids).

• Item No	GSP-2PT
• Tensile force	2 kN
• Opening	0 – 10 mm
• Jaws	Pyramid jaws, 1.2 x 45°
• Clamping surface HxW	25 x 25 mm
• Body	Hardened steel, phosphate coated
• Temperature range	0 to +130°C -70 to +280°C (GSP-2PT-Ni)
• Weight	452 gram
• Scope of delivery	1 piece



GSP-2PT

