



GV-1T

GV-1T Vise grip

Opening: 0 - 10mm (with rubber jaws 0-8 mm)
Weight: 0.29kg each grip (without jaws)

GV-1T-S20 Vise grip

Opening: 0 - 20mm
Weight: 0.33kg each grip (without jaws)

GV-1T-S30 Vise grip

Opening: 0 - 30mm
Weight: 0.32 kg each grip (without jaws)

GV-1T-S50 Vise grip

Opening: 0 - 50mm
Weight: 0.57kg each grip (without jaws)



- Tensile force: 1 kN
- Temperature range: 0°C - +180°C (depending on jaws)
Other temperature ranges possible on request
- Body: aluminum
- Scope of delivery: 1 pair (without jaws)
- Also as pneumatic version available
(see data sheet GV-1T+ko)

Jaws for GV-1T: Scope of delivery 1 Set = 4 jaws

Item number	Surface	Clamping surface H x W	Weight/ pair
GV-1T-B	Blank jaws	30 x 30mm	0.13 kg
GV-1T-BG	Rubber jaws	30 x 30mm	0.13 kg
GV-1T-BP	Pyramid jaws	30 x 30mm	0.12 kg
GV-1T-BV2	V-jaws	30 x 30mm	0.12 kg
GV-1T-BV3	V-jaws	30 x 30mm	0.13 kg
GV-1T-BW	Wave jaws	30 x 30mm	0.12 kg
GV-1T-BD	Diamond jaws	30 x 30mm	0.13 kg
GV-1T-B50	Blank jaws	30 x 50mm	0.22 kg
GV-1T-BG50	Rubber jaws	30 x 50mm	0.23 kg
GV-1T-BP50	Pyramid jaws	30 x 50mm	0.21 kg
GV-1T-BW50	Wave jaws	30 x 50mm	0.20 kg
GV-1T-BD50	Diamond jaws	30 x 50mm	0.22 kg
GV-1T-B80	Blank jaws	30 x 80mm	0.36 kg
GV-1T-BG80	Rubber jaws	30 x 80mm	0.37 kg
GV-1T-BP80	Pyramid jaws	30 x 80mm	0.35 kg
GV-1T-BW80	Wave jaws	30 x 80mm	0.32 kg
GV-1T-BD80	Diamond jaws	30 x 80mm	0.36 kg
GV-1T-B100	Blank jaws	30 x 100mm	0.45 kg
GV-1T-BG100	Rubber jaws	30 x 100mm	0.46 kg
GV-1T-BP100	Pyramid jaws	30 x 100mm	0.45 kg
GV-1T-BW100*	Wave jaws	30 x 100mm	0.51 kg
GV-1T-BD100	Diamond jaws	30 x 100mm	0.45 kg

** Opening is reduced by 4 mm

Jaws with other dimensions and surface coatings on request

Specimen for V-jaws

BV3 jaws are preferable for samples with a larger diameter, clamping height 30 mm

	GV-1T	GV-1T-S20	GV-1T-S30	GV-1T-S50
GV-1T-BV2	Ø 2 - 9 mm	Ø 2- 20 mm	Ø 2- 30 mm	Ø 2 - 50 mm
GV-1T-BV3	Ø 3 - 9 mm	Ø 3 - 20 mm	Ø 3 - 30 mm	Ø 3 - 50 mm

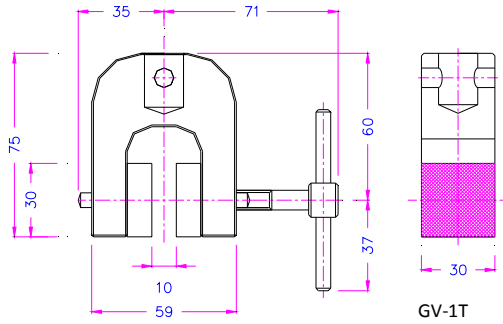
Inset jaws for GV-1T: Scope of delivery 1 Set = 4 jaws

For a quick change of jaws, inset jaws require carriers (GV-1T-GT)
The specified openings are reduced by 6mm

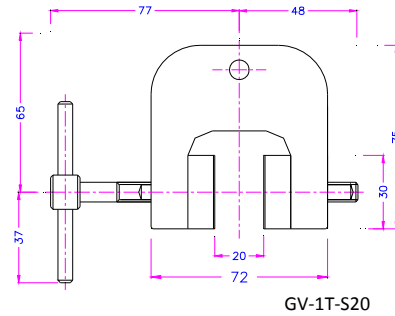
Item number	Surface	Clamping surface H x W	Weight Per pair
GV-1T-GT	Carrier	-	0.12 kg
GV-1T-EB	Blank Inset jaws	30 x 36mm	0.05kg
GV-1T-EBG	Rubber Inset jaws	30 x 36mm	0.06 kg
GV-1T-EBP	Pyramid Inset jaws	30 x 36mm	0.05kg
GV-1T-EBD	Diamond Inset jaws	30 x 36mm	0.05kg

Inset jaws with other dimensions and surface coatings on request

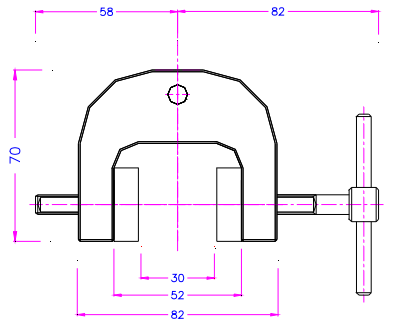




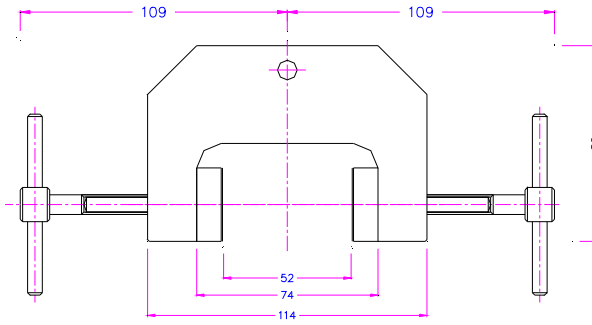
GV-1T



GV-1T-S20

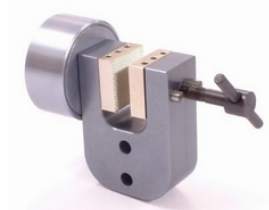


GV-1T-S30



GV-1T-S50

Pneumatic versions (see data sheet GV-1T+ko)



GV-1T+ko with GV-1T+BP pyramid jaws



GV-1T-S20+2ko with GV-1T-EBP pyramid inset jaws