



GV-5AT

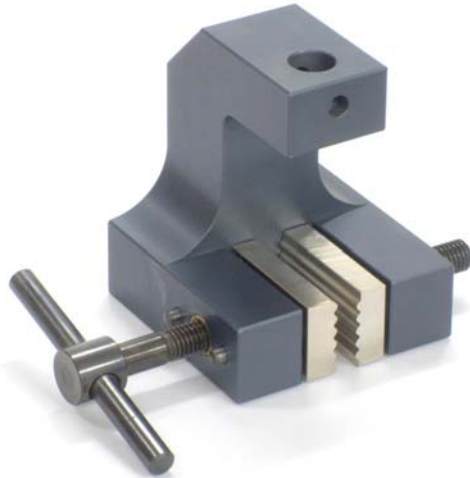
GV-5AT Vise grip

Opening: 0 – 15mm (depending on jaws)
Weight: 1.04kg per item (without jaws)

GV-5AT -H200 Vise grip

Total height: 220mm
Distance between lower edge of jaws and coupling: 200mm
Opening: 0 – 44mm (depending on jaws)
Weight: 1.7kg per item (without jaws)

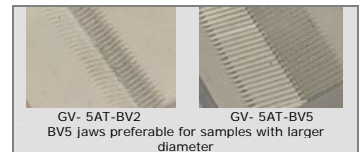
- A versatile general purpose grip applicable for plastics, textiles, paper, steel foils, aluminum etc
- Jaws adjust to specimen by socket bearing
- Tensile force: 5 kN
- Temperature range: 0°C - +180°C (depending on jaws)
Other temperature ranges possible on request
- Body: aluminum, anodized
- Scope of delivery: 1 pair without jaws
- Also as pneumatic grip available
(see data sheet GV- 5AT+ko)



Jaws for GV- 5AT: Scope of delivery 1 set = 4 jaws

| Item No. | Surface | Clamping surface H x W | Opening GV- 5AT | Opening GV- 5AT-H200 | Weight per pair |
|-------------|--------------|---------------------------|--------------------|-------------------------|--------------------|
| GV- 5AT-B | Blank jaws | 30 x 50mm | 0 – 15mm | 0 – 44mm | 0.22kg |
| GV- 5AT-BG | Rubber jaws | 30 x 50mm | 0 – 13mm | 0 – 42mm | 0.22kg |
| GV- 5AT-BP | Pyramid jaws | 30 x 50mm | 0 – 15mm | 0 – 44mm | 0.21kg |
| GV- 5AT-BV2 | V-jaws | 30 x 50mm | Ø 2 – 15 mm | Ø 2 – 41 mm | 0.22kg |
| GV- 5AT-BV5 | V-jaws | 30 x 50mm | Ø 5 – 11 mm | Ø 5 – 41 mm | 0.26kg |
| GV- 5AT-BW | Wave jaws | 30 x 50mm | 0 – 15mm | 0 – 44mm | 0.20kg |
| GV- 5AT-BD | Diamond jaws | 30 x 50mm | 0 – 15mm | 0 – 44mm | 0.22kg |

Jaws with other dimensions and surface coatings on request

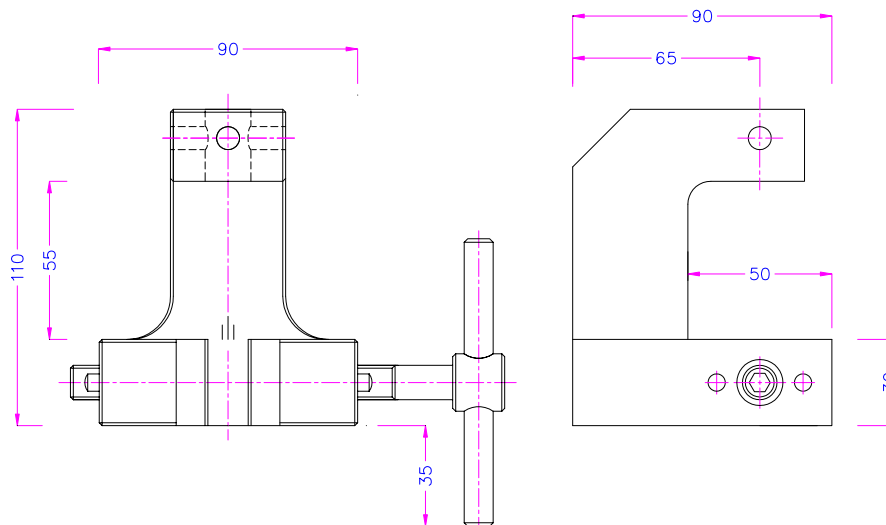


Inset jaws for GV- 5AT: Scope of delivery 1 set = 4 jaws

Quick change system - Inset jaws require carriers (GV- 5AT-GT)

| Item No. | Surface | Clamping surface H x W | Opening GV- 5AT | Opening GV- 5AT-H200 | Weight per pair |
|-------------|--------------------|---------------------------|--------------------|-------------------------|--------------------|
| GV- 5AT-GT | Carrier | - | | | 0.18kg |
| GV- 5AT-EB | Blank inset jaws | 30 x 50mm | 0 – 5mm | 0 – 34mm | 0.14kg |
| GV- 5AT-EBG | Rubber inset jaws | 30 x 50mm | 0 – 3mm | 0 – 32mm | 0.14kg |
| GV- 5AT-EBP | Pyramid inset jaws | 30 x 50mm | 0 – 5mm | 0 – 34mm | 0.13kg |
| GV- 5AT-EBD | Diamond inset jaws | 30 x 50mm | 0 – 5mm | 0 – 34mm | 0.14kg |

Jaws with other dimensions and surface coatings on request



Blank jaws

- Suitable for own further treatments
- Steel-blanks without coating

Rubber jaws

- 1mm rubber coating (NBR)
- Nickel plated

Pyramid jaws

- Pyramid 1.2x45°
- Hardened steel 58 HRC
- Nickel plated

V-jaws

- For all kinds of round samples
- Tooth pitch 1.2 mm.
- Tempered steel 58 HRC,
- Nickel plated

Wave jaws

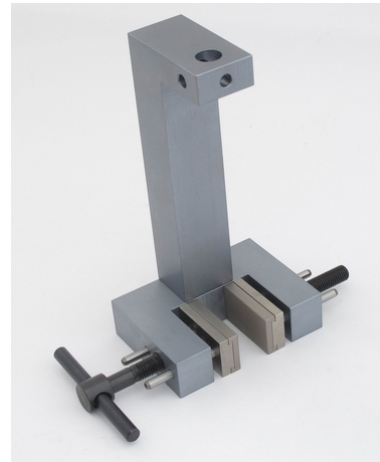
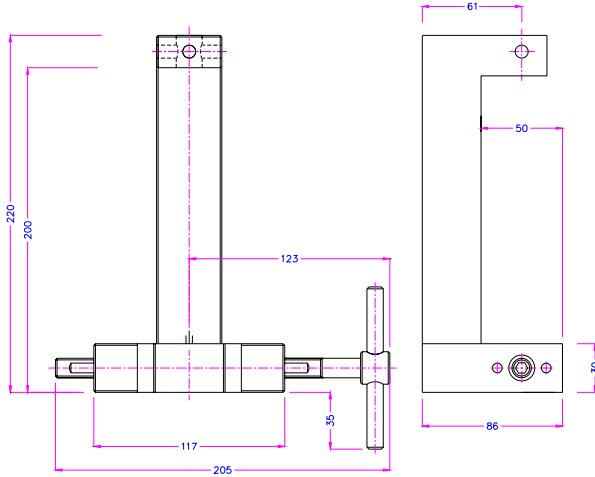
- For flexible materials
- Wave 5 mm
- Hardened steel 58 HRC
- Nickel plated

Diamond jaws

- Clamping surface coated with synthetic diamonds
- Nickel plated



GV-5AT

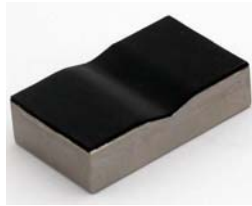


GV- 5AT-H200+GT+EBP

Examples of other versions and custom built solutions



GV- 5AT-EI
Optional for GV- 5AT quick-release lever



GV- 5AT-BVG
Rubber coated V-jaws



GV- 5AT-BP25x25
Clamping surface 25x25mm

Pneumatic versions (see data sheet GV- 5AT+ko)



GV- 5AT+Ko+BW



GV- 5AT+2Ko+BP



GV- 5AT-H200+Ko+BV
with Adapter THS626-158-317