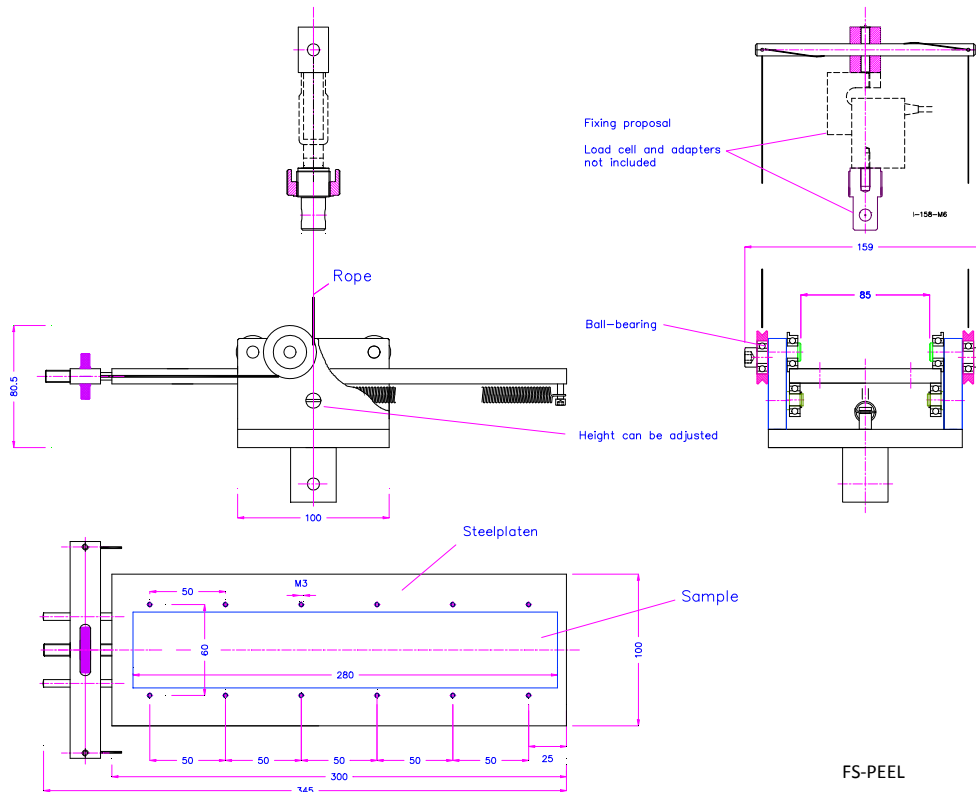


Peel test fixture

Used to measure the bond strength.
The sliding table provides a steady movement to maintain a constant angle peel (the peel point remains at the centre).

FS-PEEL	
Maximum load	10 kN
Specimen width	0 – 50 mm
Specimen length	0 – 250 mm
Body	Steel, manganese phosphate coated
Temperature range	0 – 70 °C Other temperature ranges on request
Weight	5.15 kg
Scope of delivery	1 fixture incl. mounting bar, wire and wire end tubes

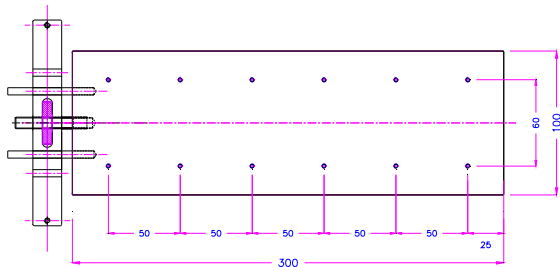
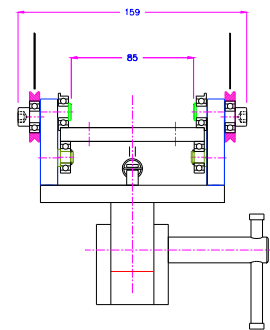
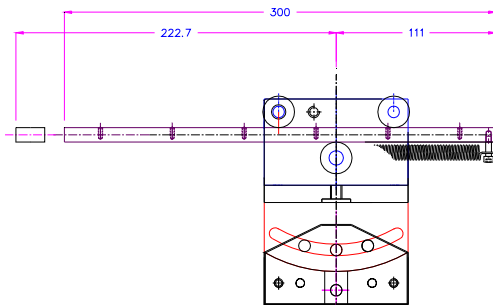
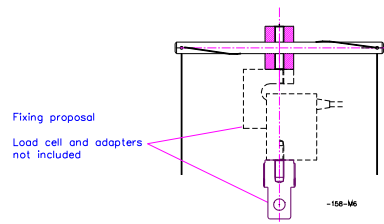
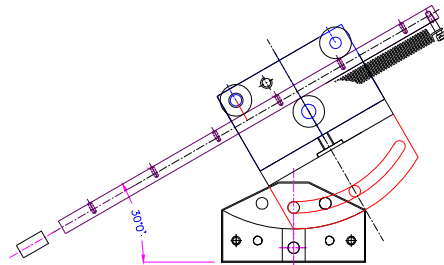
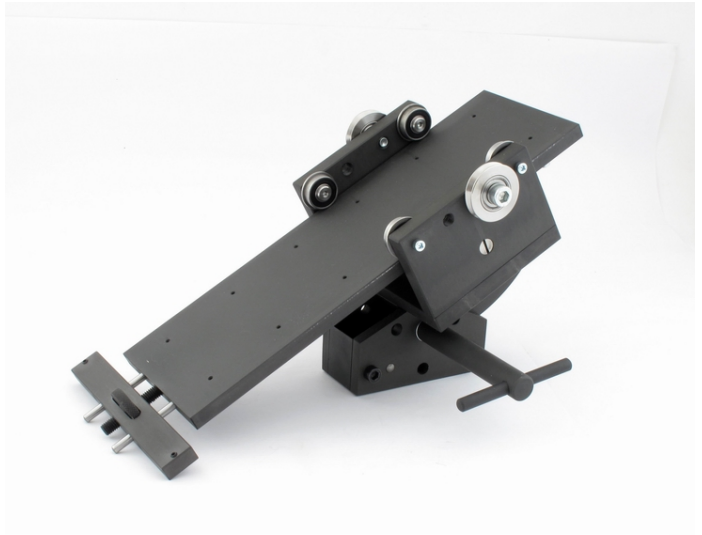


FS-PEEL



FS-PEEL

FS-PEEL+SW	0-30° variable adjustable angle
Maximum load	10 kN
Specimen width	0 – 50 mm
Specimen length	0 – 250 mm
Body	Steel, manganese phosphate coated
Temperature range	0 – 70 °C Other temperature ranges on request
Weight	7.1 kg
Scope of delivery	Fixture incl. mounting bar, wire and wire end tubes



FS-PEEL+SW

Examples of special versions



FS-PEEL-B260-L300-SW



FS-PEEL+S31-laterally movable



FS-PEEL+SW2



FS-PEEL-W130



FS-PEEL-S19



FS-PEEL-ground plate+THS572



FS-PEEL-P2