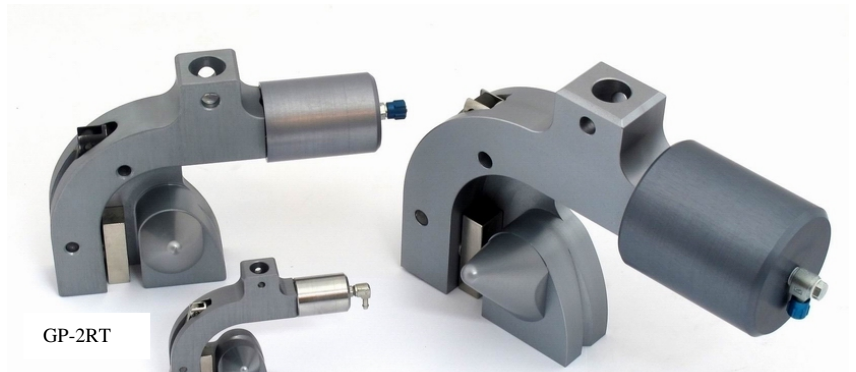


**GP-RT**  
**.2kN, 2kN and 5kN**

GP-RT grips are applicable (depending on type) for fibers, fine wires, cords, filaments yarns, cord etc.

Guide horn with centering groove

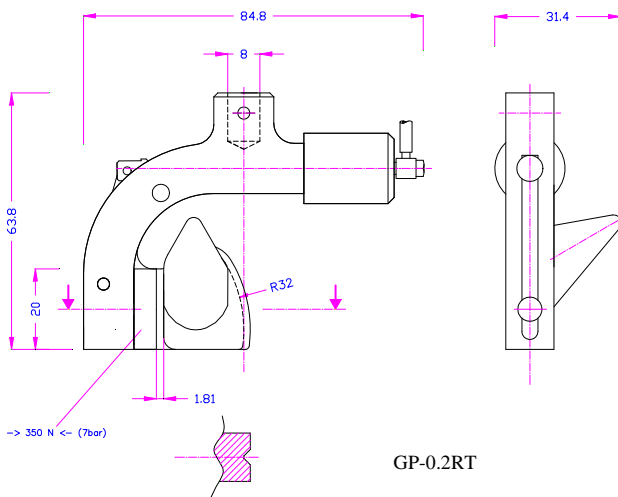
180° redirection of specimen  
-> The breakage of the specimen in the clamping area is prevented by generating a slow notch free stress relief



GP-2RT

Item number	GP-0.2RT and GP-0.2RT+BD	GP-2RT and GP-2RT+BD	GP-5RT and GP-5RT+BD
Applicable for	Fibers, filaments etc up to 200N	Yarns, cords, strands etc up to 2kN	Wires, strands, cords etc up to 5kN
Tensile force	200 N / 7 bar	2 kN / 7 bar	5 kN / 7 bar
Recommended specimen diameter	1 mm Ø	2 mm Ø	3 mm Ø
Minimal specimen length	15 cm	25 cm	30 cm
Jaws surfaces	Blank jaws (GP-0.2RT) Diamond jaws (GP-0.2RT+BD) Other surfaces on request	Blank jaws (GP-2RT) Diamond jaws (GP-2RT+BD) Other surfaces on request	Blank jaws (GP-5RT) Diamond jaws (GP-5RT+BD) Other surfaces on request
Clamping surface of jaws HxW	6 x 20mm	12 x 36mm	15 x 44mm
Temperature range*	-10 – 80°C*	-10 – 80°C*	-10 – 80°C*
Pneumatic connection	M3 for micro fittings or with additional adapter (TH205-PK23) for 1/8" normal pneumatics	Internal thread M5	Internal thread M5
Body	Aluminum, anodized	Aluminum, anodized	Aluminum, anodized
Weight inclusive jaws	102 gram per grip	0.59 kg per grip	1.25 kg per grip
Ordering information Scope of delivery	Item No. GP-0.2RT: 1 pair of grips incl. blank jaws and adapter TH205-PK23  Item No. GP-0.2RT+BD: 1 of grips pair incl. diamond jaws and adapter TH205-PK23	Item No. GP-2RT: 1 pair of grips incl. blank jaws  Item No. GP-2RT+BD: 1 pair of grips incl. diamond jaws	Item No. GP-5RT: 1 pair of grips incl. blank jaws  Item No. GP-5RT+BD: 1 pair of grips incl. diamond jaws

\* Other temperature ranges on request



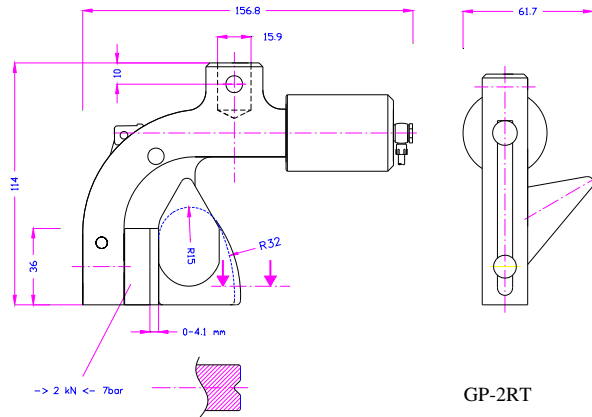
GP-0.2RT



GP-0.2RT with TH205-PK23 adapter



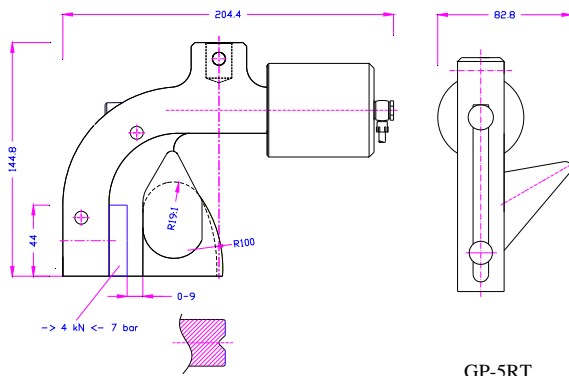
## GP-RT



GP-2RT



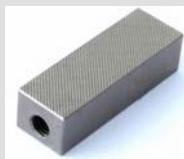
GP-2RT with GP-2RT-BG rubber jaws



GP-5RT



### Examples of special version



GP-2RT-BP0.5  
Fine pyramids (serrated, cross cut) 0.5x45°



GP-2RT-BG and GP-0.2RT-BG  
Rubber jaws for GP-RT



GP-2RT-SS  
Stainless steel guide horn (ASTMD7279)

### Accessories for the pneumatic versions of GP-RT:



#### TH205-1

2 pneumatic foot switches, tubes and fittings

**None locking:** The jaws of the grip open by pressing the foot pedal and close after removing the foot from the pedal.  
Scope of delivery: 1 pair of foot switches including tubes and fittings

#### TH205-2

2 pneumatic foot switches, tubes and fittings,

**With locking function:** The jaws of the grip open by pressing the foot pedal and remain opened after removing the foot from the pedal. The jaws close by pressing the pedal one more time.

Scope of delivery: 1 pair of foot switches including tubes and fittings

#### TH205-. +PR

Optional for TH205-1 or TH205-2

Pressure regulator

To adjust air pressure: 1-10 bar

#### TH205-3

1 unit of pneumatic hand switches, tubes and fittings

**With locking function:** Handle with 2 positions. The jaws of the grip close by pulling the handle and remain closed. The jaws open by pushing the handle back.

Scope of delivery: 1 unit of hand switches including tubes and fittings

#### TH216

Silent compressor appropriate for laboratories

Max pressure: 16 bar; noise level: 45dB(A)

Motor 400 Watt; displacement 25 l/min

With pressure reducer/water trap





**GP-RT**

Dimensions: 280x190x240 mm (L x W x H); weight ~ 14 kg