



Capstan rope grip GSP-50RT 50kN

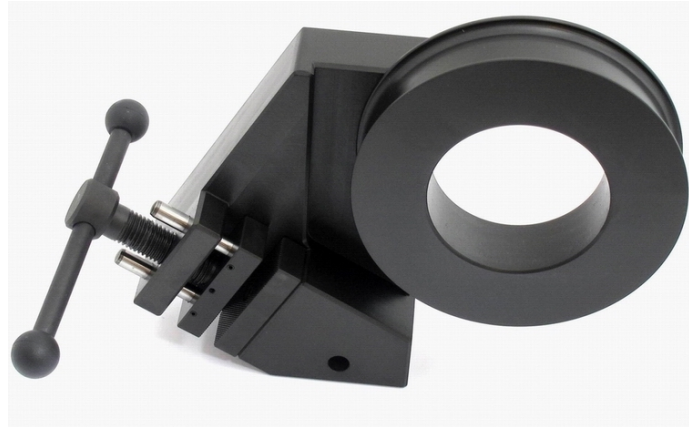
GSP-RT grips are applicable for ropes and ribbons up to 50kN.

According to its friction coefficient, the specimen will be twisted one or more times around the guide roller, before being fixed with clamping jaws.

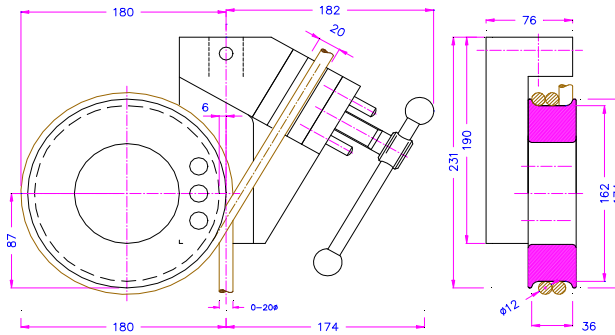
The guide rollers generate a slow notch free stress relief to prevent the breakage of the specimen in the clamping area.

Other available versions:

- Modified diameter of the guide roller
- 100kN, 150kN, 200kN versions
- Hydraulic versions



GSP-50RT	
Applicable for	Ropes, ribbons up to 50kN
Tensile force	50 kN
Recommended rope diameter	5 – 20 mm Ø
Ribbons maximal width	12 mm
Minimal specimen length	1500 mm
Jaws surfaces	Pyramid jaws, 1.2 x 45°, 58HRC Other surfaces on request
Jaws clamping surface HxW	70x30 mm
Ø Guide roller	162 mm Ø
Temperature range*	0°C – 130°C Other temperature ranges on request
Body	Steel, manganese phosphate coating
Weight	13.9 kg each grip
Ordering information/ Scope of delivery	1 pair of rope grips incl. pyramid jaws



GSP-50RT

<p>GSP-50RT-D296-B60 Guide roller diameter 296 mm, width 60 mm</p>	<p>GSP-RT-100+Ko 100 kN version, hydraulic</p>	<p>GSP-RT-100 100kN version</p>
<p>GSP-RT-150+Ko 150kN version, hydraulic</p>	<p>GSP-RT-250+Ko 250 kN version, hydraulic</p>	<p>GSP-50RT BP0.5x45 Special jaws small pyramids (serrated)</p>