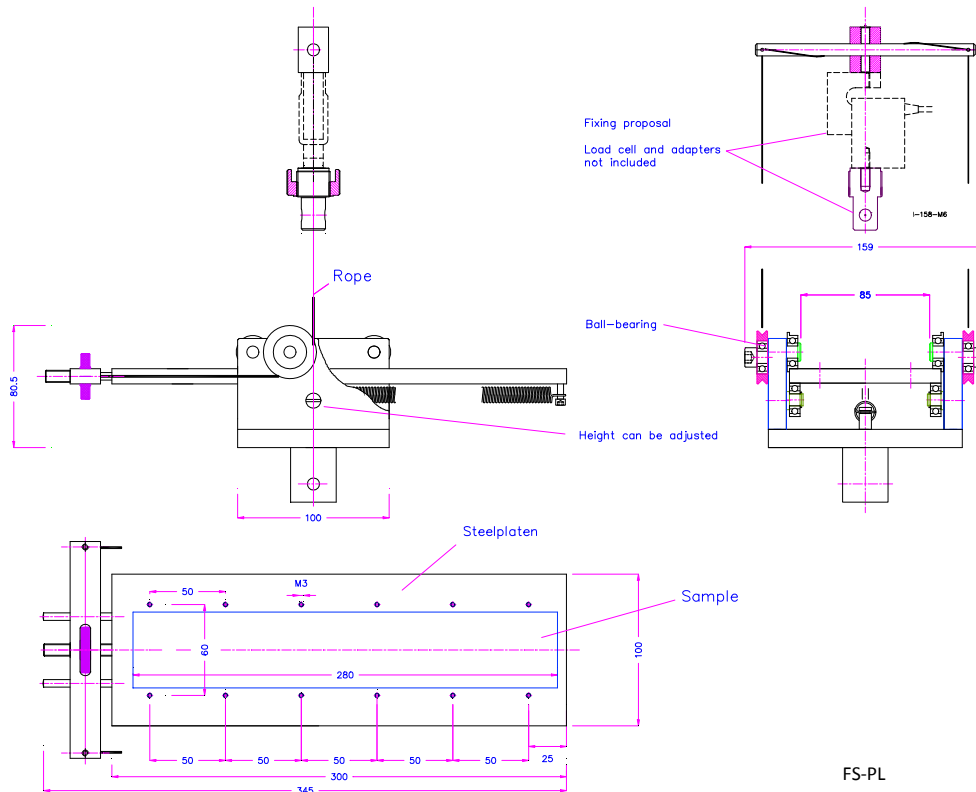




# Peel test fixture

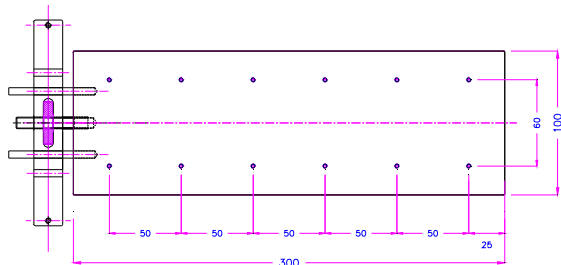
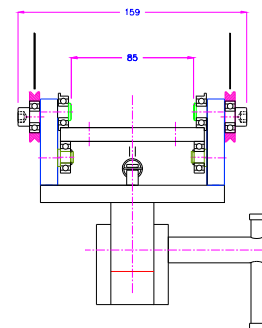
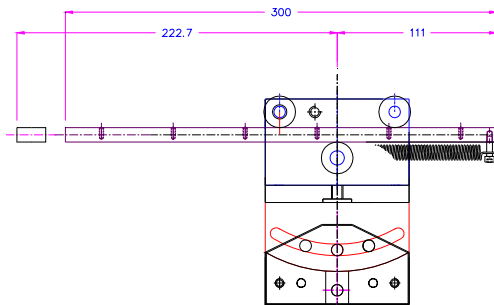
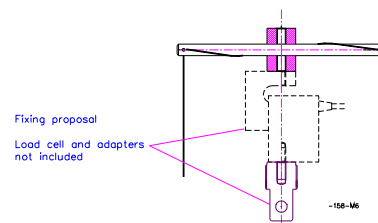
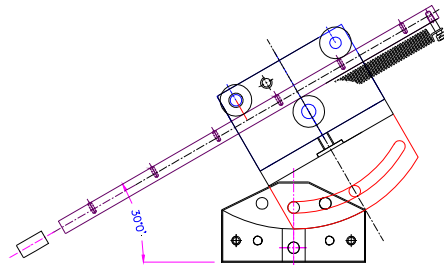
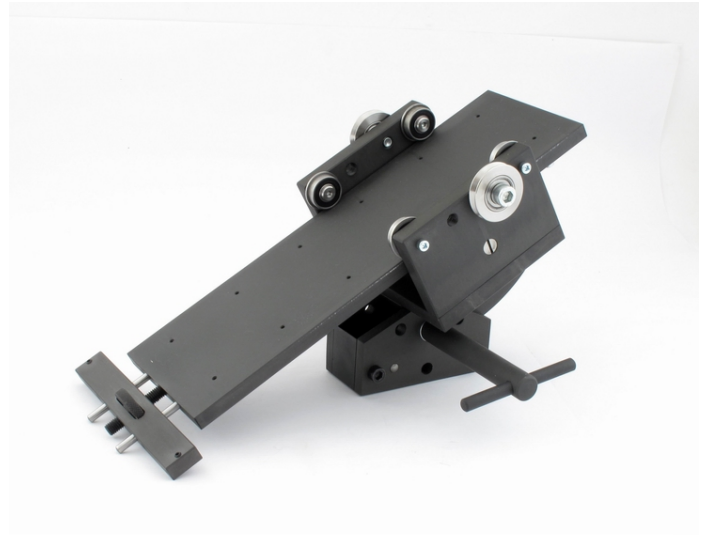
Used to measure the bond strength.  
The sliding table provides a steady movement to maintain a constant angle peel (the peel point remains at the center).

<b>FS-PL-90</b>	
Maximum load	5 kN
Specimen width	0 – 50 mm
Specimen length	0 – 250 mm
Body	Steel, manganese phosphate coated
Temperature range	0 – 70 °C Other temperature ranges on request
Weight	5.15 kg
Scope of delivery	1 fixture incl. mounting bar, wire and wire end tubes



FS-PL

FS-PL+ADJ	0-30° variable adjustable angle
Maximum load	5 kN
Specimen width	0 – 50 mm
Specimen length	0 – 250 mm
Body	Steel, manganese phosphate coated
Temperature range	0 – 70 °C Other temperature ranges on request
Weight	7.1 kg
Scope of delivery	Fixture incl. mounting bar, wire and wire end tubes



FS-PL+ADJ

Examples of custom versions



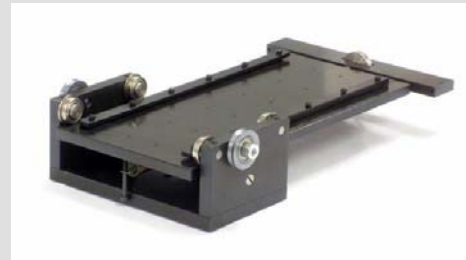
FS-PL-B260-L300-SW



FS-PL+S31-laterally movable



FS-PL+SW2



FS-PL-W130



FS-PL-S19



FS-PL-P2