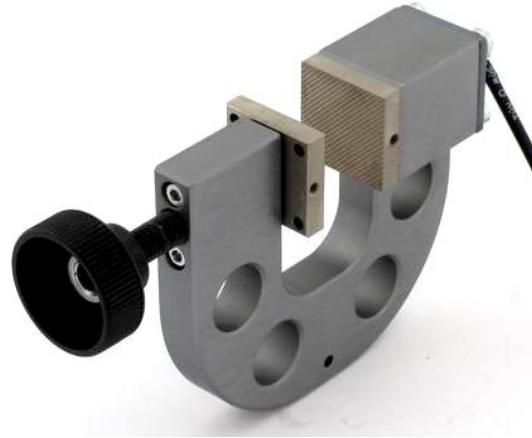




GP-0.2T

GP-0.2T Pneumatic grip A light-weight, small pneumatic grip

- Clamping force: 200 N / 7 bar
- Opening: 0-20 mm (depending on jaws)
- Temperature range: 0°C - +70°C (depending on jaws)
Other temperature ranges available upon request
- Body: Aluminum, anodized
- Pneumatic connection: M3 for Micro fittings or with additional adapter for 1/8" pneumatic connection
- Weight: 214 gram each grip (without jaws)

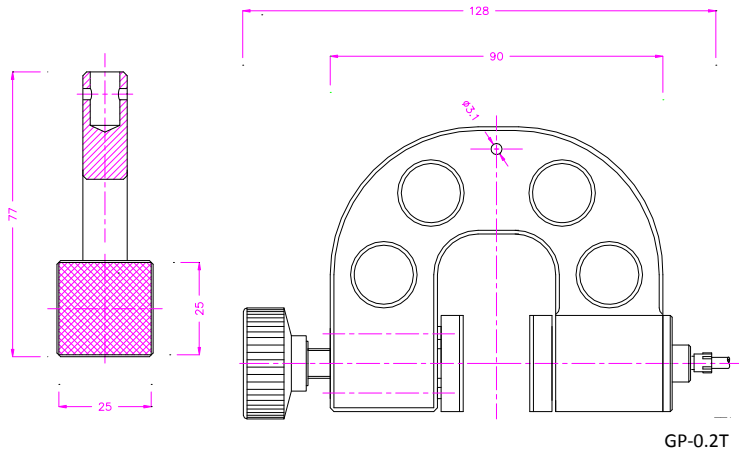


Ordering information Item No.: GP-0.2T
Scope of delivery: 1 pair of grips and pneumatic tubes

Jaws for GP-0.2T: Scope of delivery 1 set = 4 jaws

Item No.	Surface	Clamping surface H x W	Opening	Weight per pair
GP-0.2T-B	Blank jaws	25 x 25mm	0 – 20mm	53 gram
GP-0.2T-BG	Rubber jaws	25 x 25mm	0 – 18mm	56 gram
GP-0.2T-BP	Pyramid jaws	25 x 25mm	0 – 20mm	49 gram
GP-0.2T-BD	Diamond jaws	25 x 25mm	0 – 20mm	54 gram
GP-0.2T-B50	Blank jaws	25 x 50mm	0 – 20mm	111 gram
GP-0.2T-BG50	Rubber jaws	25 x 50mm	0 – 18mm	114 gram
GP-0.2T-BP50	Pyramid jaws	25 x 50mm	0 – 20mm	104 gram
GP-0.2T-BW50	Wave jaws	25 x 50mm	0 – 16mm	128 gram
GP-0.2T-BD50	Diamond jaws	25 x 50mm	0 – 20mm	112 gram

Jaws with other dimensions and surface coatings available upon request



GP-0.2T

Blank jaws

- Applicable for own further treatments
- Steel blanks without coating

Rubber jaws

- 1mm rubber coating (NBR)
- Nickel plated

Pyramid jaws

- Pyramids 1x45°
- Hardened steel 58 HRC
- Nickel plated

Wave jaws

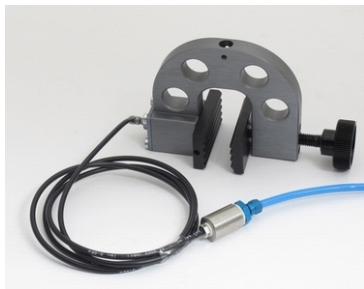
- Wave 5 mm
- Hardened steel 58 HRC

Diamond jaws

- Clamping surface coated with synthetic diamonds
- Nickel plated



Examples for additional custom solutions:



GP-0.2T with GP-0.2T-BW50 jaws + TH205-PK23 adapter



GP-0.2T-S2+BP-S21
Reduced height



GP-0.2T with GP-0.2T-B100x25 special jaws
Blank jaws: height 100 mm x width 25mm



GP-0.2T-HT-B
For usage in Temperature chamber

Accessories:**GP-1 Non-Locking Foot Switches**

2 pneumatic foot switches, tubes and fittings

Non- locking: The jaws of the grip open by pressing the foot pedal and close after removing the foot from the pedal.

Scope of delivery: 1 pair of foot switches including tubes and fittings

**GP-2 Locking Foot Switches**

2 pneumatic foot switches, tubes and fittings.

With locking function: The jaws of the grip open by pressing the foot pedal and remain opened after removing the foot from the pedal. The jaws close by pressing the pedal one more time.

Scope of delivery: 1 pair of foot switches including tubes and fittings

**GP-PR**

Optional for GP-1 or GP-2

Pressure regulator

To adjust air pressure: 1-10 bar

**GP-3 Locking Hand Switches**

1 unit of pneumatic hand switches, tubes and fittings

With locking function: Handle with 2 positions. The jaws of the grip close by pulling the handle and remain closed. The jaws open by pushing the handle back.

Scope of delivery: 1 unit of hand switches including tubes and fittings

**GP-CR**

Silent compressor appropriate for laboratories

Max pressure: 16 bar; noise level: 45dB(A)

Motor 400 Watt; displacement 25 l/min

With pressure reducer/water trap

Dimensions: 280x190x240 mm (L x W x H); weight ~ 14 kg