

**GP-1X Pneumatic grip**

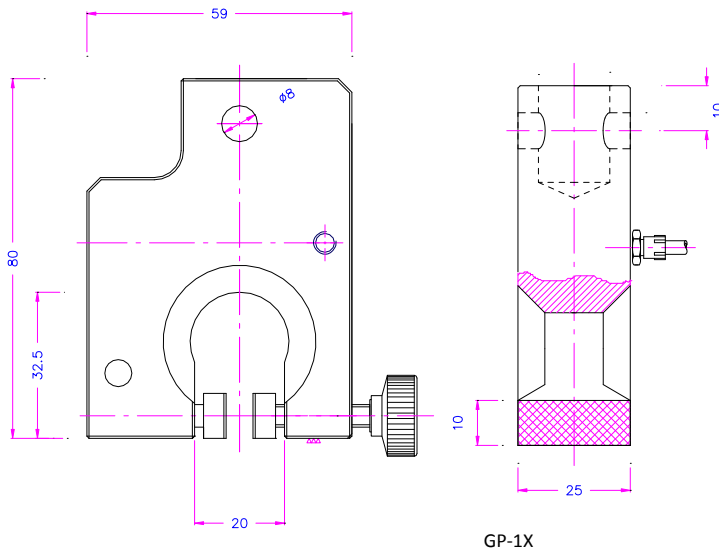
- Clamping force: 1 kN / 7 bar
- Opening: 0-10 mm (depending on jaws)
- Temperature range: 0°C - +70°C (depending on jaws)  
Other temperature ranges on request
- Body: Aluminium anodized
- Pneumatic connection: internal thread M5
- Weight: 260 gram per item (without jaws)
- Scope of delivery: 1 pair



**Jaws for GP-1X:** Scope of delivery 1 set = 4 jaws

Item number	Surface	Clamping surface H x W	Opening	Weight per pair
GP-1X-B25	Blank jaws	10 x 25mm	0 – 8mm*	18 gram
GP-1X-BG25	Rubber jaws	10 x 25mm	0 – 6mm	19 gram
GP-1X-BP25	Pyramid jaws	10 x 25mm	0 – 8mm*	17 gram
GP-1X-BW25x25	Wave jaws	25 x 25mm	0 – 6mm	48 gram
GP-1X-BD25	Diamond jaws	10 x 25mm	0 – 8mm*	18 gram
GP-1X-B50	Blank jaws	10 x 50mm	0 – 6mm	46 gram
GP-1X-BG50	Rubber jaws	10 x 50mm	0 – 4mm	48 gram
GP-1X-BP50	Pyramid jaws	10 x 50mm	0 – 6mm	43 gram
GP-1X-BW50x25	Wave jaws	25 x 50mm	0 – 6mm	100 gram
GP-1X-BD50	Diamond jaws	10 x 50mm	0 – 6mm	46 gram
GP-1X-B100	Blank jaws	10 x 100mm	0 – 6mm	92 gram
GP-1X-BG100	Rubber jaws	10 x 100mm	0 – 4mm	95 gram
GP-1X-BD100	Diamond jaws	10 x 100mm	0 – 6mm	92 gram

\* Special pins to change the opening to 2 – 10mm are included in price of the grips. Grip reassembly is necessary to change the pins. Jaws with other dimensions and surfaces on request



GP-1X

Examples for other versions and custom-built solutions

<p><b>Blank jaws</b></p> <ul style="list-style-type: none"> <li>- Applicable for own further treatment</li> <li>- Steel blanks without coating</li> </ul>	
<p><b>Rubber jaws</b></p> <ul style="list-style-type: none"> <li>- 1mm rubber coating (NBR)</li> <li>- Nickel plated</li> </ul>	
<p><b>Pyramid jaws</b></p> <ul style="list-style-type: none"> <li>- Pyramids 0.8x45°</li> <li>- Hardened steel 58 HRC</li> <li>- Nickel plated</li> </ul>	
<p><b>Wave jaws</b></p> <ul style="list-style-type: none"> <li>- For flexible materials</li> <li>- Wave 5 mm</li> <li>- Hardened steel 58 HRC</li> <li>- Nickel plated</li> </ul>	
<p><b>Diamond jaws</b></p> <ul style="list-style-type: none"> <li>- Clamping surface coated with synthetic diamonds</li> <li>- Nickel plated</li> </ul>	



## GP-1X



GP-1X-BW25



GP-1X-BLC-R5 - Radius 5 mm

### Accessories:



#### GP-1 Non-Locking Foot Switches

2 pneumatic foot switches, tubes and fittings

Non-locking: The jaws of the grip open by pressing the foot pedal and close after removing the foot from the pedal.

Scope of delivery: 1 pair of foot switches including tubes and fittings



#### GP-2 Locking Foot Switches

2 pneumatic foot switches, tubes and fittings,

With locking function: The jaws of the grip open by pressing the foot pedal and remain opened after removing the foot from the pedal. The jaws close by pressing the pedal one more time.

Scope of delivery: 1 pair of foot switches including tubes and fittings



#### GP-PR

Optional for GP-1 or GP-2

Pressure regulator

To adjust air pressure: 1-10 bar



#### GP-3 Locking Hand Switches

1 unit of pneumatic hand switches, tubes and fittings

With locking function: Handle with 2 positions. The jaws of the grip close by pulling the handle and remain closed. The jaws open by pushing the handle back.

Scope of delivery: 1 unit of hand switches including tubes and fittings



#### GP-CR

Silent compressor appropriate for laboratories

Max pressure: 16 bar; noise level: 45dB(A)

Motor 400 Watt; displacement 25 l/min

With pressure reducer/water trap

Dimensions: 280x190x240 mm (L x W x H); weight ~ 14 kg