

Rope and yarn grips 1kN, 5 kN and 20kN

GR-T rope grips are applicable (depending on type) for filaments, cords, yarn, fine wires, narrow ribbons and ropes etc.

According to its friction coefficient, the specimen will be twisted one or more times around the guide roller, before being fixed with clamping jaws.

The guide rollers generate a slow notch free stress relief to prevent the breakage of the specimen in the clamping area.

Pneumatic versions also available.



	GR-1T and GR-1T+BD	GR-5T and GR-5T+BD	GR-20T
Applicable for	Yarn, filament, narrow ribbons	Cord, fine wires, narrow ribbons	Ropes, fine wires, narrow ribbons
Tensile force	1kN (225 lbf)	5kN (1124 lbf)	20kN (4496 lbf)
Ropes / wires max. Ø	2 mm Ø	5 mm Ø	9 mm Ø
Ribbons max. width	7 mm	8 mm	9 mm
Jaw surfaces	Rubber jaws Diamond jaws (BD) Other surfaces on request	Pyramid jaws (0.6x45°), 58HRC Diamond jaws (BD) Other surfaces on request	Pyramid jaws (0.6x45°), 58 HRC Other surfaces on request
Clamping surface HxW	20x10mm	30x12mm	30x15mm
Guide roller diameter	20 mm Ø	40 mm Ø	94 mm Ø
Temperature range	0 – 70°C	0 – 180°C	0 – 180°C
Body	Aluminum, anodized	Aluminum, anodized	Steel, manganese phosphate
Weight	0.26 kg each grip	0.8 kg each grip	2.7 kg each grip
Ordering information/ Scope of delivery	Model No. GR-1T: 1 pair incl. rubber jaws Model No. GR-1T+BD: 1 pair incl. diamond jaws	Model No. GR-5T: 1 pair incl. pyramid jaws Model No. GR- 5T+BD: 1 pair incl. diamond jaws	Model No. GR-20T: 1 pair incl. pyramid jaws

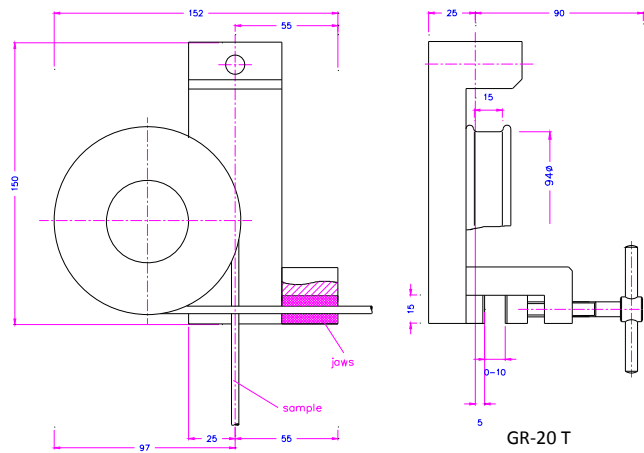
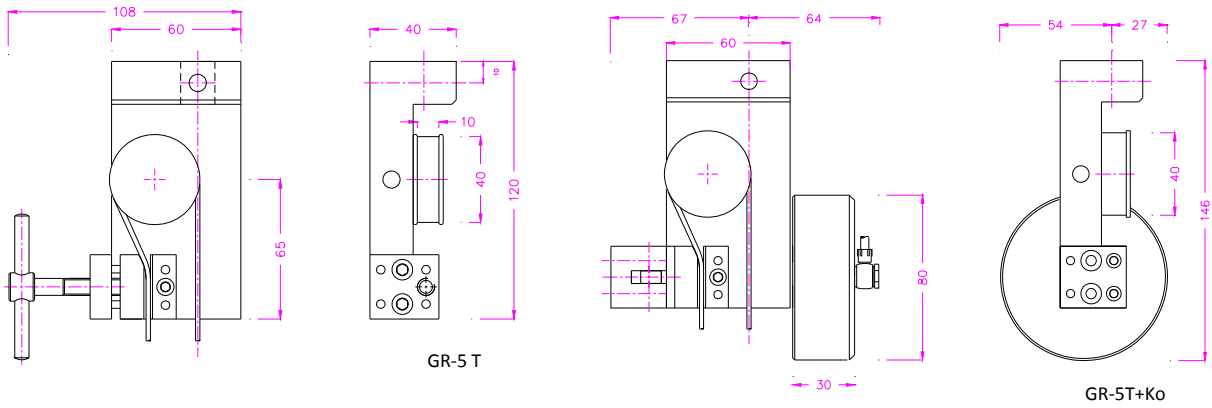
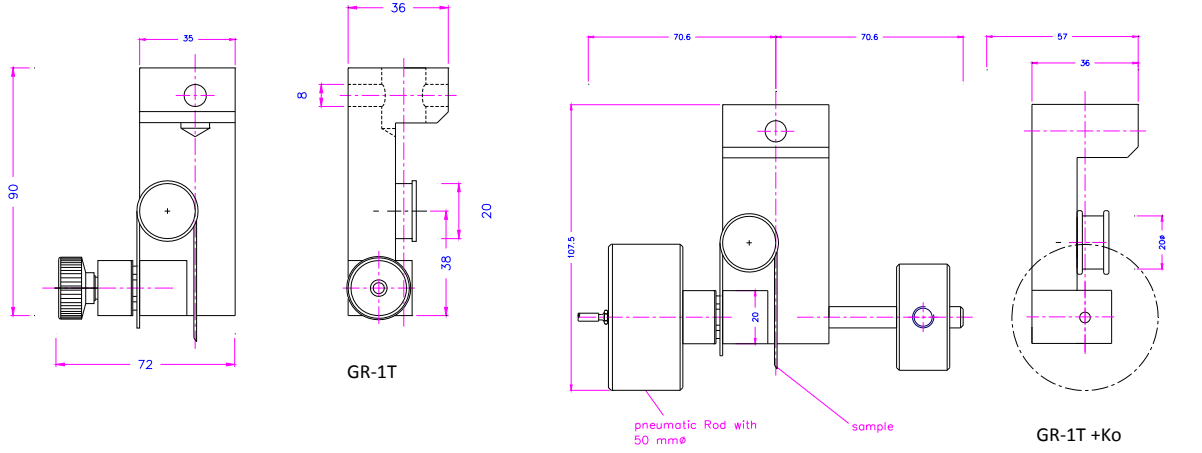
Pneumatic versions:

	GR-1T+Ko and GR -1T+Ko+BD	GR-5T+Ko and GR- 5T+Ko+BD
Applicable for	Yarn, filament, narrow ribbons etc	Cord, fine wires, narrow ribbons etc
Tensile force	1 kN	5 kN
Ropes / threads max. Ø	2 mm Ø	5 mm Ø
Ribbons max. width	7 mm	8 mm
Jaw surfaces	Rubber jaws Diamond jaws Other surfaces on request	Pyramid jaws(0.6x45°), 58 HRC Diamond jaws Other surfaces on request
Clamping surface HxW	20x10mm	30x12mm
Ø Guide roller	20 mm Ø	40 mm Ø
Temperature range*	0 – 70°C	0 – 180°C
Pneumatic connection	Internal thread M5	Internal thread M5
Body	Aluminum, anodized	Aluminum, anodized
Weight	0.67 kg each (grip with counter weight)	1.27 kg each grip
Ordering information/ Scope of delivery	Model No. GR-1T+Ko: 1 pair incl. rubber jaws Model No. GR-1T+Ko+BD: 1 pair incl. diamond jaws	Model No. GR-5T+Ko 1 pair incl. pyramid jaws Model No. GR-5T+Ko+BD: 1 pair incl. diamond jaws





GR-T





GR-1T Pneumatic Versions

GR-5T with adapter
464-158-M30x2LH

GR-20T

Examples of special versions



GR-1T-150+BD
150mm Ø roller

GR-5T +Ko-2A
2 couplings and rubber jaws (BG)

GR-20T +Ko

Accessories for pneumatic GR-T versions:



GP-2 Non-Locking Foot Switches

2 pneumatic foot switches, tubes and fittings

Non-locking: The jaws of the grip open by pressing the foot pedal and close after removing the foot from the pedal.

Scope of delivery: 1 pair of foot switches including tubes and fittings

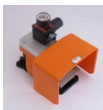


GP-2 Locking Foot Switches

2 pneumatic foot switches, tubes and fittings,

With locking function: The jaws of the grip open by pressing the foot pedal and remain opened after removing the foot from the pedal. The jaws close by pressing the pedal one more time.

Scope of delivery: 1 pair of foot switches including tubes and fittings



GP-PR

Optional for TH205-1 or TH205-2

Pressure regulator

To adjust air pressure: 1-10 bar



GP-3 Locking Hand Switches

1 unit of pneumatic hand switches, tubes and fittings

With locking function: Handle with 2 positions. The jaws of the grip close by pulling the handle and remain closed. The jaws open by pushing the handle back.

Scope of delivery: 1 unit of hand switches including tubes and fittings



GP-CR

Silent compressor appropriate for laboratories

Max pressure: 16 bar; noise level: 45dB(A)

Motor 400 Watt; displacement 25 l/min

With pressure reducer/water trap

Dimensions: 280x190x240 mm (L x W x H); weight ~ 14 kg