

GRC Capstan Ribbon Grips

GRC capstan ribbon grips are applicable for metal foils, ribbons, straps, and others.

Manual and pneumatic versions available.





Standard temperature range: 0 – 180°C

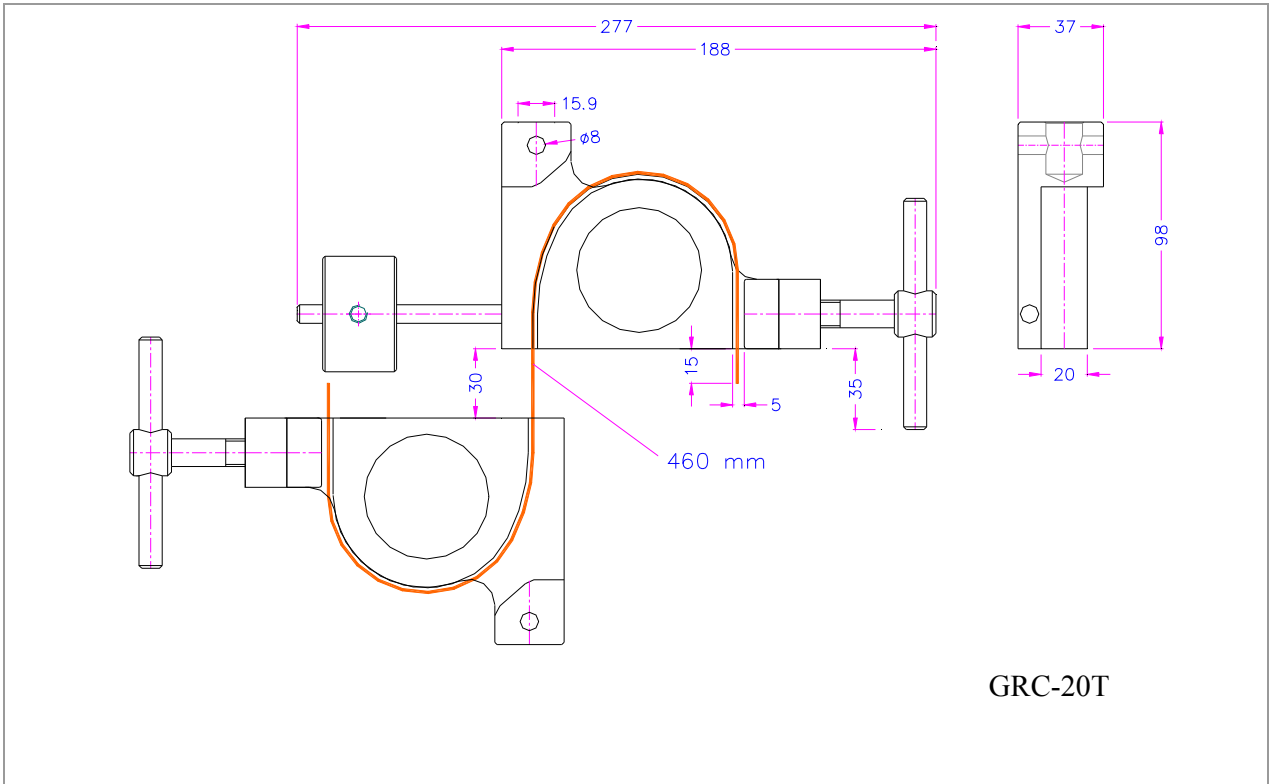
Further temperature ranges are available on request.



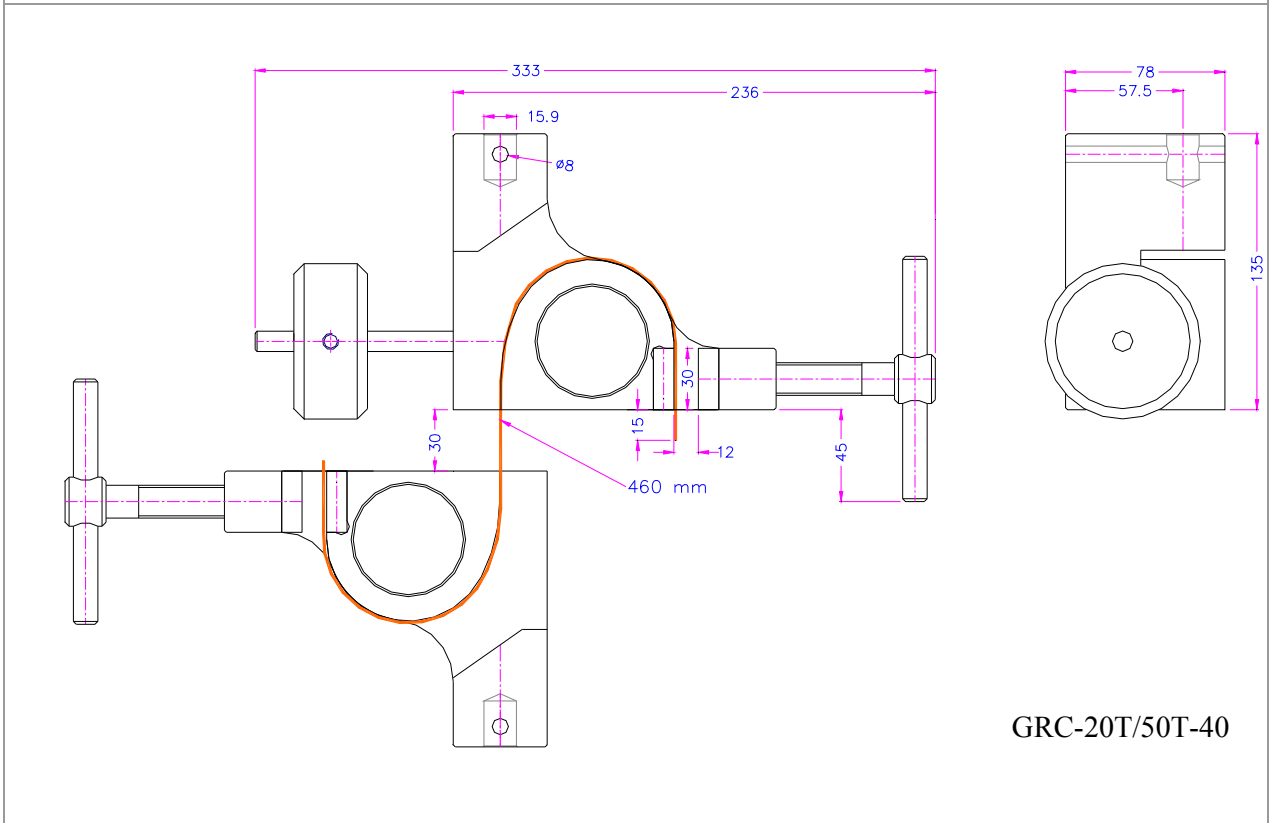
	GRC-20T	GRC-20T-40	GRC-50T-40	GRC-50T
Tensile force	20 kN	20 kN	50 kN	50 kN
Max. sample width	20 mm	40 mm	40 mm	60 mm
Min. sample length	460 mm	460 mm	460 mm	460 mm
Jaw surface options	Blank jaws (-B) Diamond jaws (-BD)	Blank jaws (-B) Diamond jaws (-BD)	Blank jaws (-B) Diamond jaws (-BD)	Blank jaws (-B) Serrated jaws (-BP) Wave jaws (-BW)
Clamping surface	30x20 mm	30x40 mm	30x40 mm	30x60 mm
Adapters	Af159	Af159	Af318	Af318

Jaw surfaces include:

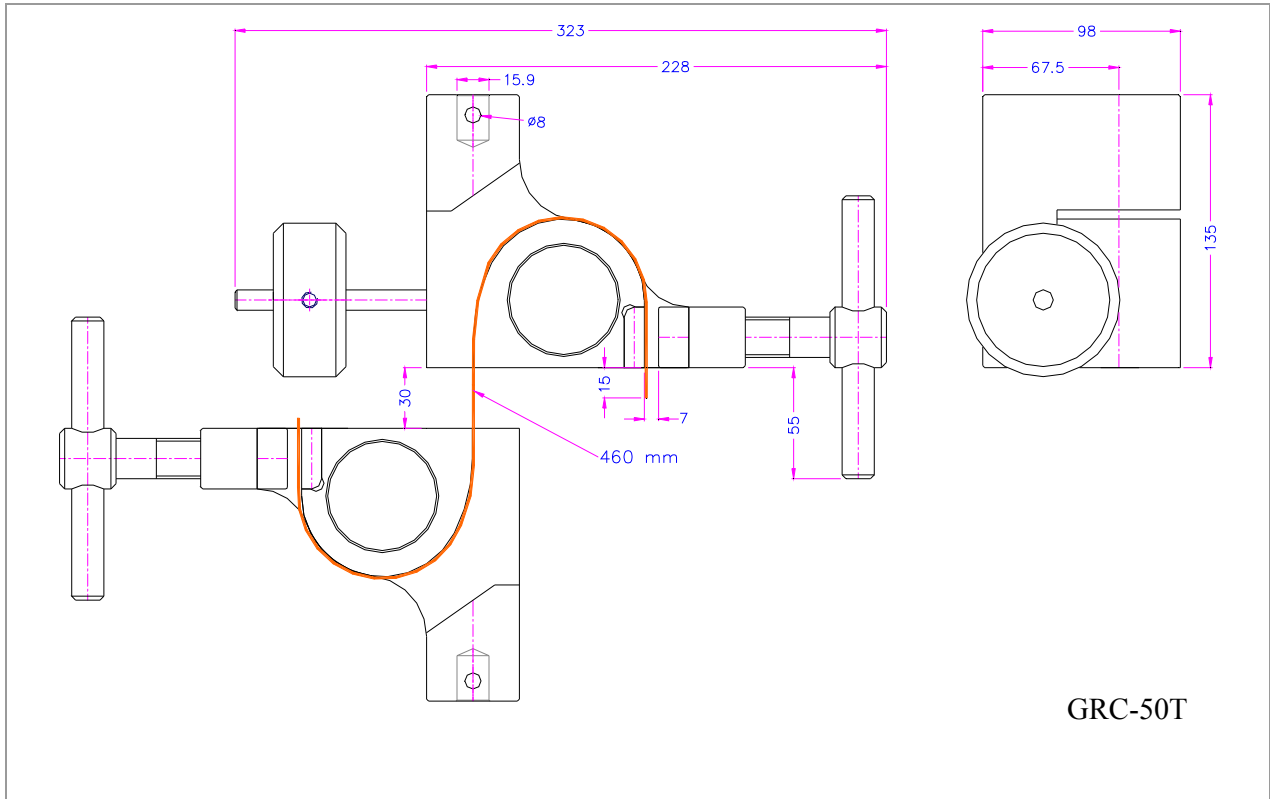
	Blank (smooth) jaws - Suitable for further treatments - Steel-blanks without coating		Diamond coated jaws - Clamping surface coated with synthetic diamonds D91 (170/200 mesh) - Nickel-plated
	Wave jaws - For flexible materials - Wave 5 mm - Hardened steel 58HRC - Nickel-plated		Serrated (pyramid) jaws - Pyramids 1.2x45 - Hardened steel 58HRC - Nickel-plated; °



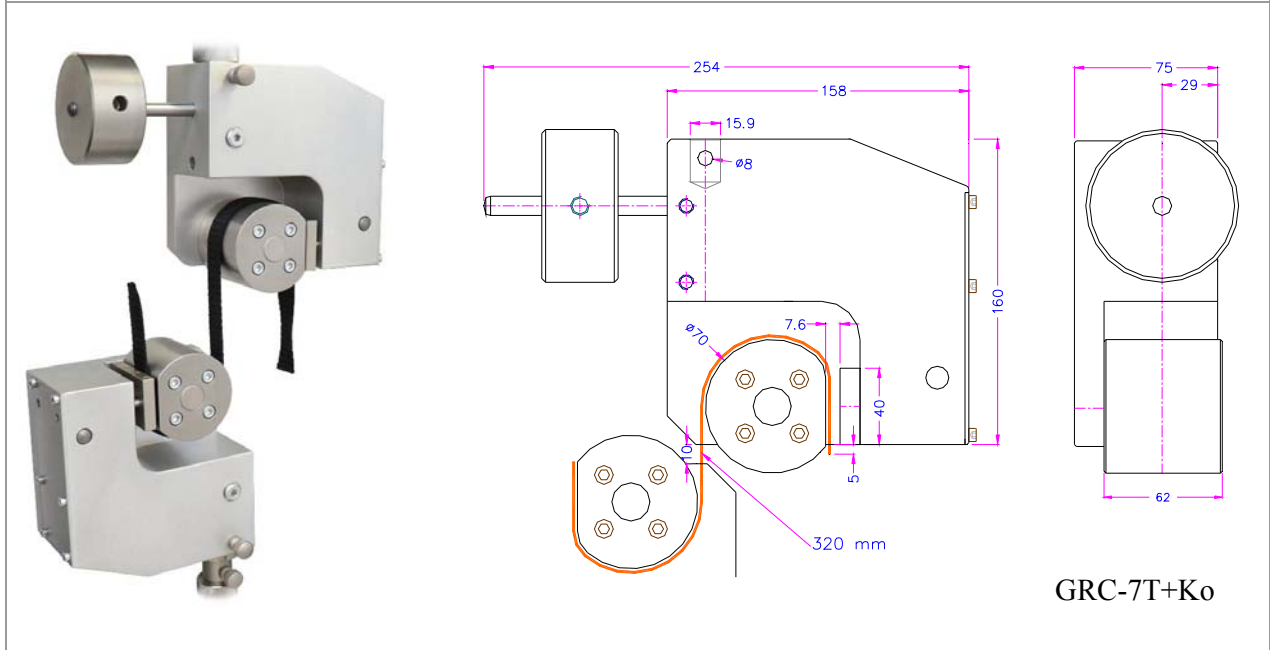
GRC-20T



GRC-20T/50T-40



GRC-50T



GRC-7T+Ko