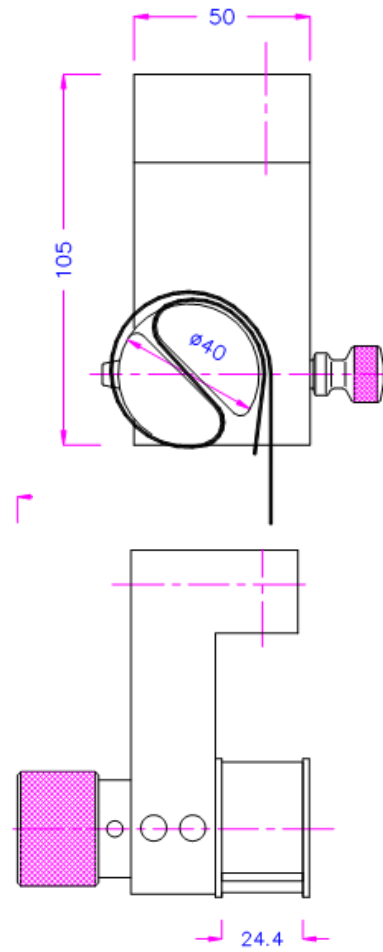


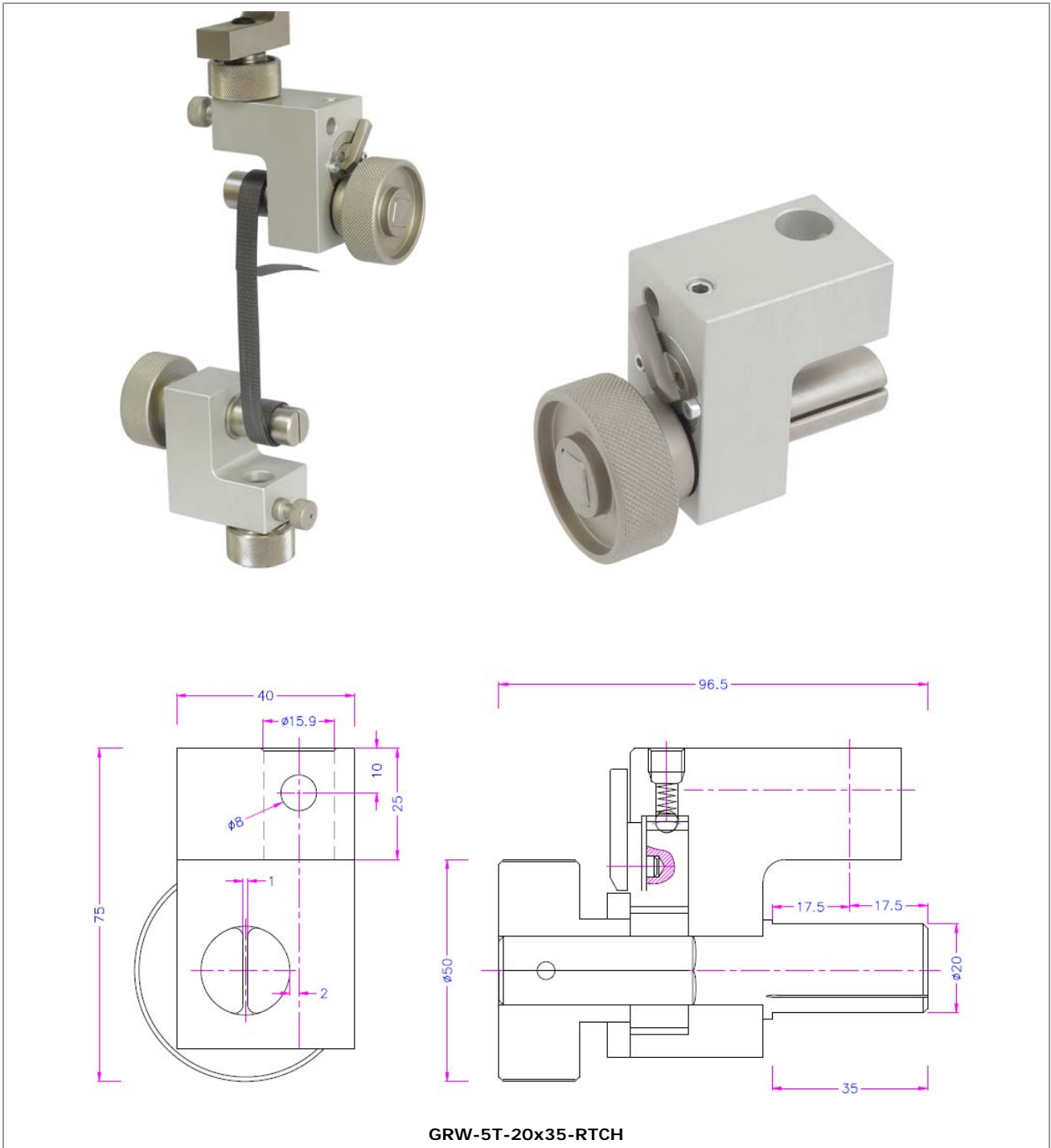
### GRW-10T Ribbon Grip

GRW-10T ribbon grips are applicable for thin ribbon samples

- One open side for easy install
- Tensile force: 10 kN
- Drum diameter: 40mm
- Maximum sample thickness: 2.5mm
- Standard temperature range: 0 – 180°C
- Standard coupling: 15.9mm female eye end



Custom Solutions:



**GRW-50T-100**

- One open side for easy install
- Tensile force: 50 kN
- Drum diameter: 100mm
- Drum width: 25mm
- Coupling: 31.7mm male eye end

