

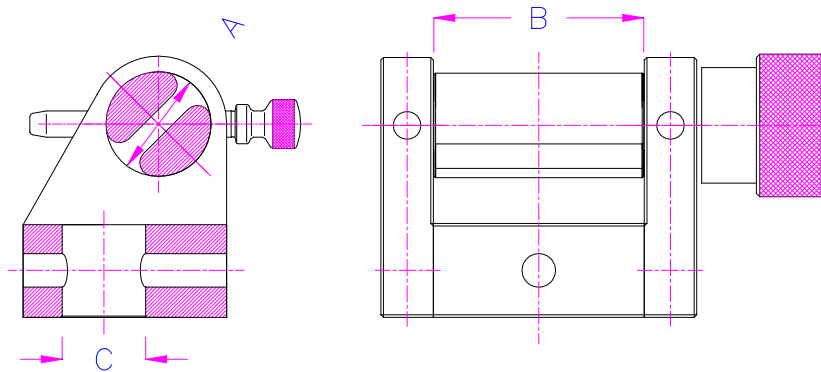
## Ribbon & Webbing Grips

GRW ribbon/webbing grips are applicable for soft and flexible samples such as ribbon, fabric, and yarn.

Depending on the friction coefficient of the sample, the sample will be wrapped once or multiple times around the roll.

Standard temperature range: 0 – 180°C

Further temperature ranges are available on request.



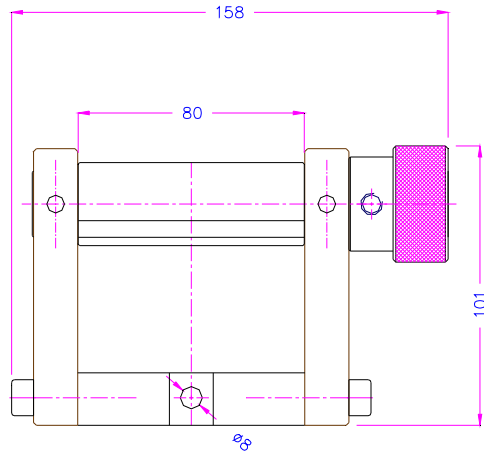
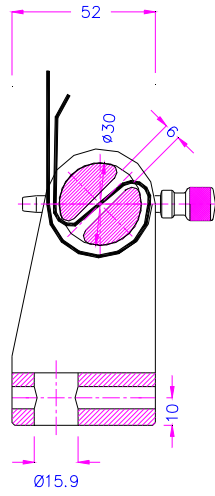
	GRW-20T	GRW-50T	GRW-100T-80	GRW-100T-100	GRW-100T-120	GRW-150T
<b>Tensile force</b>	20 kN	50 kN	100 kN	100 kN	100 kN	150 kN
<b>A: Roll diameter Ø</b>	30 mm	40 mm	60 mm	60 mm	60 mm	80 mm
<b>B: Max. sample width</b>	80 mm	80 mm	80 mm	100 mm	120 mm	120 mm
<b>Max. sample thickness</b>	5 mm	7 mm	11 mm	11 mm	11 mm	11 mm
<b>Min. sample length</b>	460 mm	600 mm	910 mm	910 mm	910 mm	1160 mm
<b>C: Coupling*</b>	Af159*	Af318*	Af40*	Af40*	Af40*	Af40*
<b>Weight /grip</b>	2.3 kg	4.5 kg	7.3 kg	8.1 kg	8.8 kg	15 kg

\*Different adapters and/or adapter packages available.

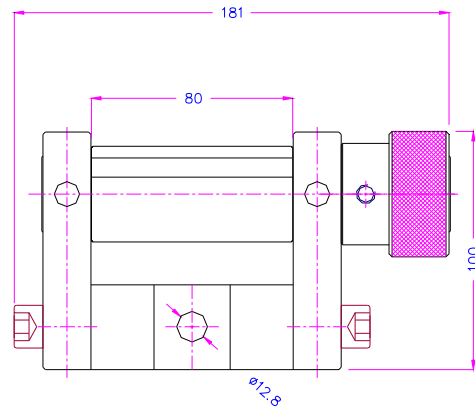
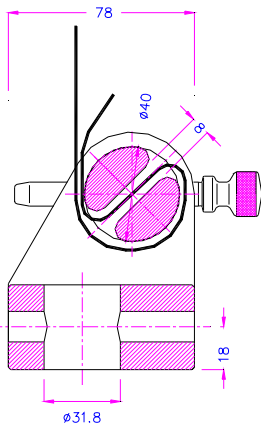


GRW-20T

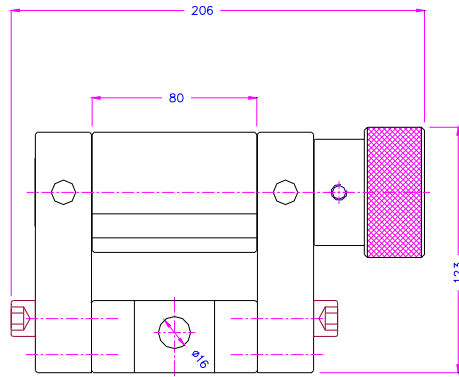
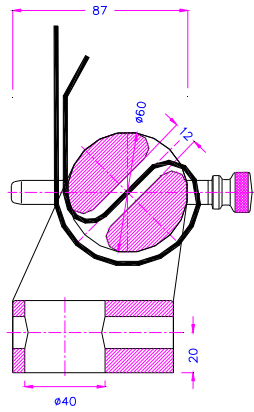
GRW-100T-80



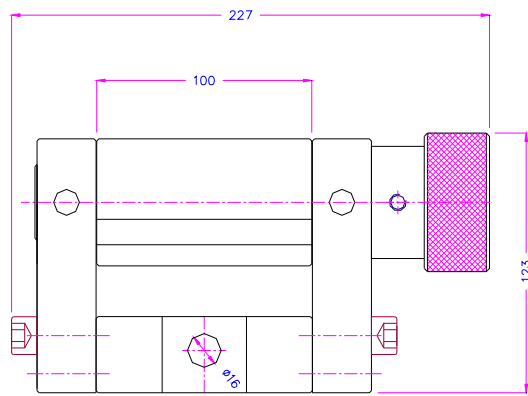
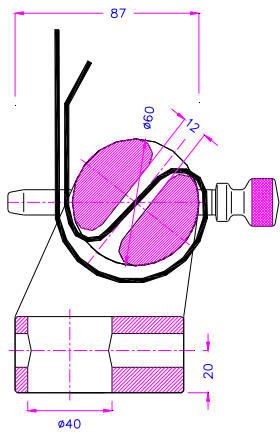
GRW-20T



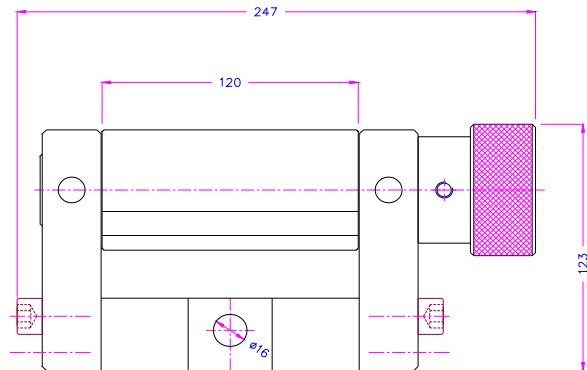
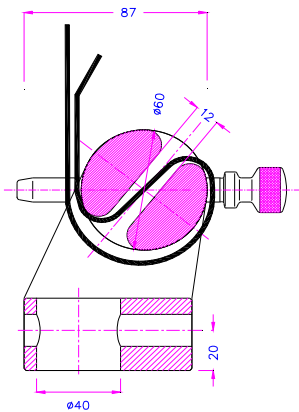
GRW-50T



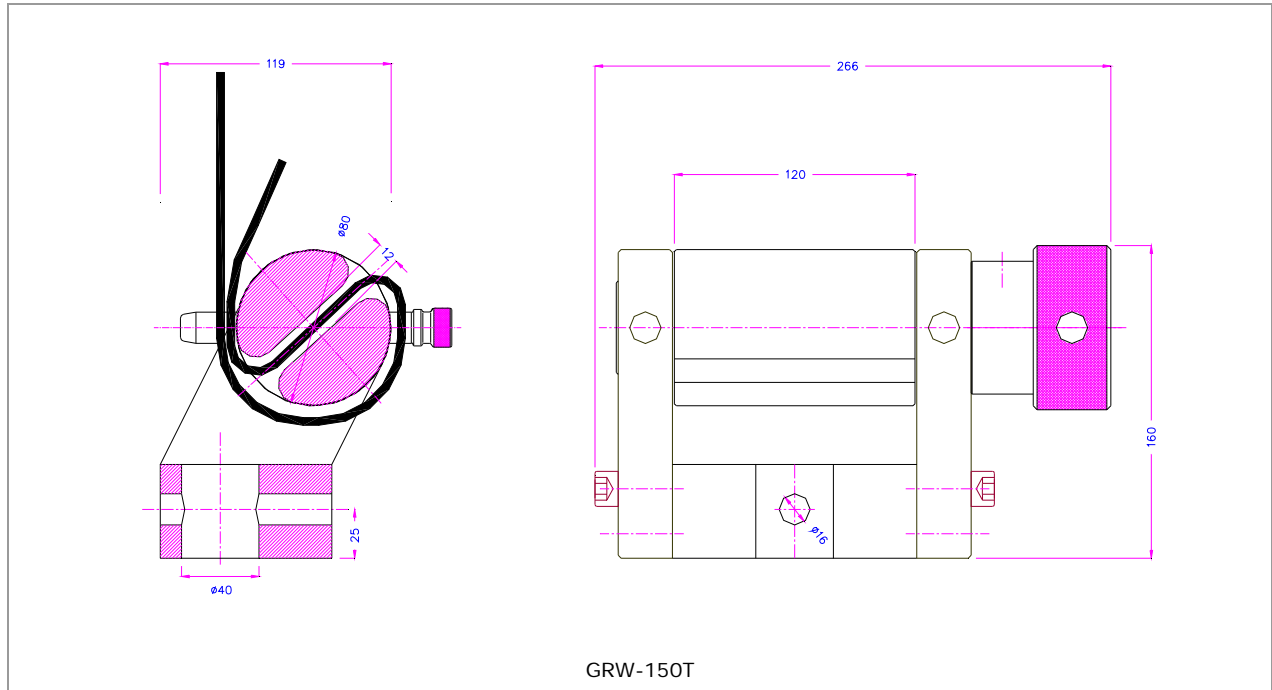
GRW-100T-80



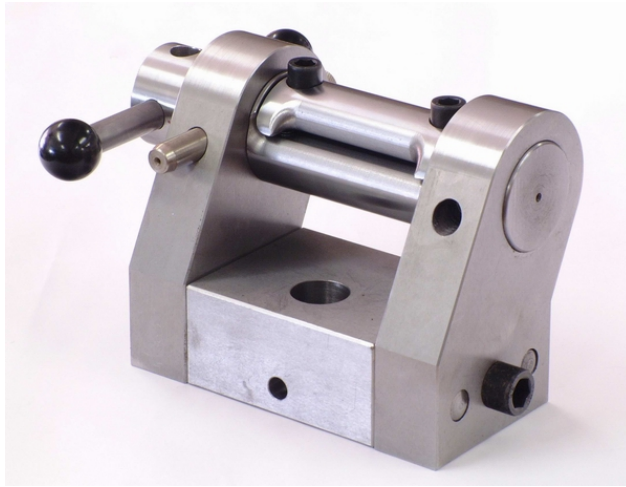
GRW-100T-100



GRW-100T-120



Custom Solutions			
	<p>GRW-6-40</p> <p>Ø Roll 6 mm 40 mm width Special small version</p>		<p>GRW-100-80-krd</p> <p>Ø Roll 100 mm 80 mm width Knurled surface (-krd)</p>
	<p>GRW-100-80-AL</p> <p>Ø Roll 100 mm 80 mm width Aluminum</p>		<p>GRW-150-160</p> <p>Ø Roll 150 mm 160 mm width 300 kN</p>



GRW-60-80-Locking  
For 70mm wide samples

