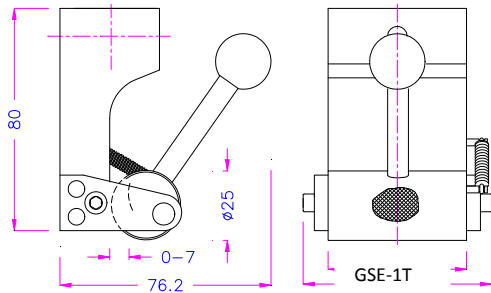




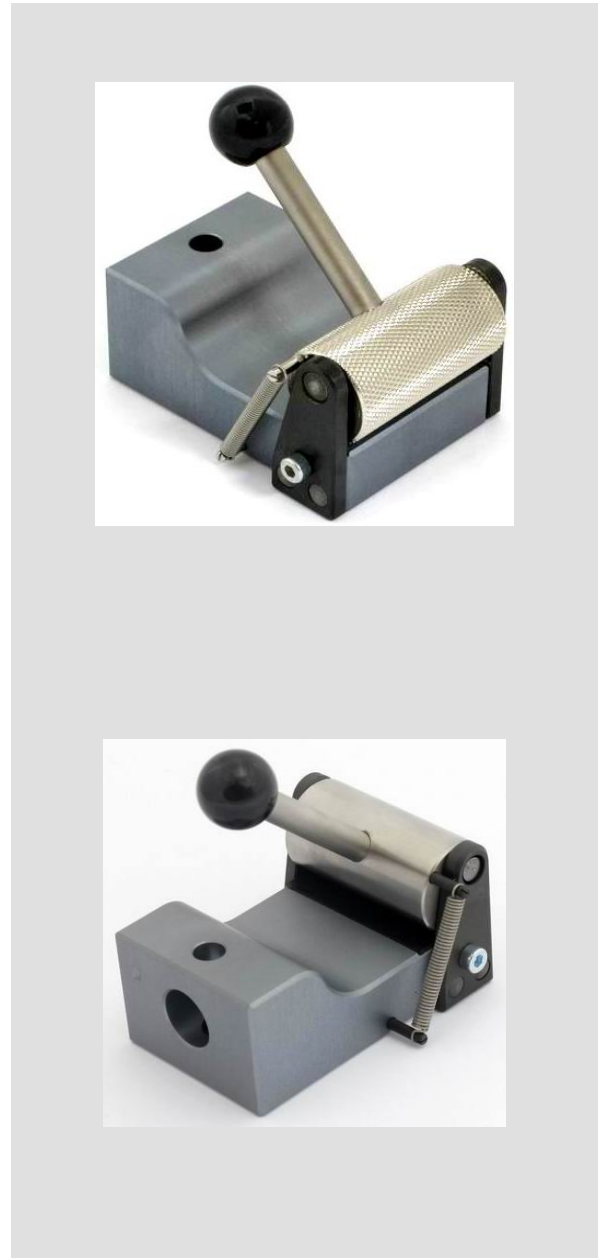
Eccentric roller grips – easy to use and self-tightening
Applicable for soft and flexible samples, foils, plastics, rubber etc.

GSE-1T Eccentric roller grip

- Tensile force: 1 kN
- Pyramid (serrated) faced roller, 25mm Ø
- Clamping width 50mm, specimen thickness 0 – 7 mm
- Temperature range: 0 – 130°C
Other temperature ranges possible on request
- Body: Aluminum anodized
- Weight: 509 gram each grip
- Scope of delivery: 1 pair

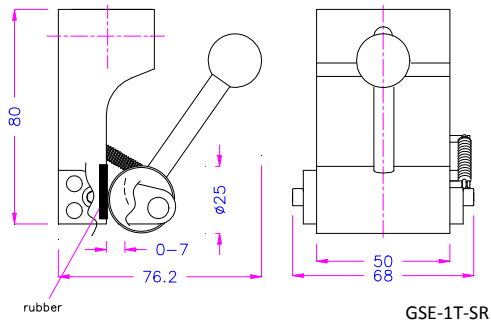


TH7-1



GSE-1T-SR Eccentric roller grip

- Tensile force: 1 kN
- Smooth roller, 25mm Ø, steel, nickel-plated, rubber base plate
- Clamping width 50mm, specimen thickness 0 – 7mm
- Temperature range: 0 – 70°C
Other temperature ranges possible on request
- Body: Aluminum anodized
- Weight: 509 gram each grip
- Scope of delivery: 1 pair



GSE-1T-SR

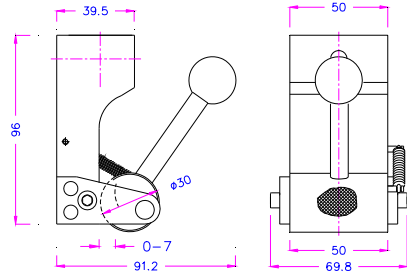




GSE-1T • GSE-1T-SR • GSE-5T • GSE-10T

GSE-5T Eccentric roller grip

- Tensile force: 5 kN
- Pyramid (serrated) faced roller, 30mm Ø, steel, nickel plated
- Clamping width 50mm, specimen thickness 0 – 7mm
- Temperature range: 0 – 130°C
Other temperature ranges possible on request
- Body: Aluminum anodized
- Weight: 667 gram each grip
- Scope of delivery: 1 pair

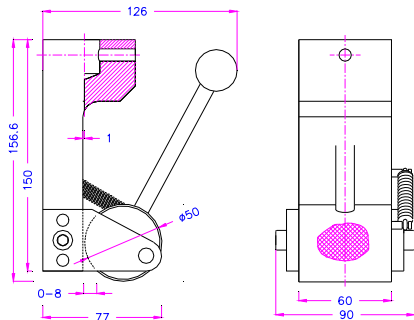


GSE-5T



GSE-10T Eccentric roller grip

- Tensile force: 10 kN
- Pyramid (serrated) faced roller, 50mm Ø, steel,
- Clamping width 60mm, specimen thickness 0 – 8mm
- Temperature range: 0 – 130°C
Other temperature ranges possible on request
- Body: Steel, Nickel plated
- Weight: 3.35 kg each grip
- Scope of delivery: 1 pair



GSE-10T



Item number:	Maximum load:	Adapter:	Max sample size:
GSE-1T	1 kN	15.9mm (5/8") female eye end	50x7 mm
GSE-5T	5 kN	15.9mm (5/8") female eye end	50x7 mm
GSE-10T	10 kN	15.9mm (5/8") female eye end	60x8 mm

Click [here](#) for GSS Scissor Grips for Symmetric Tightening

Examples of other versions:



GSE-1T • GSE-1T-SR • GSE-5T • GSE-10T



GSE-1T-Ni • Nickel plated



GSS-5T-DB • Symmetric tightening



GSE-5T-100 • Roller width 100 mm



GSE-5T-H80 • Body height 80mm



GSE-5T-SBP • Pyramid faced base plate



GSE-10T-mA • with centering device