

Pincer grip with spring

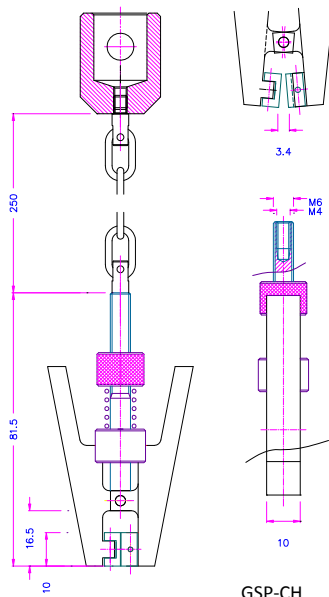
Versatile, easy to use. Suitable for small forces, pull of tests, tear test of components, adhesive bonds, plastic weldings (paper, plastics, rubber) etc. Chain mounting for flexible positioning.

GSP-CH: Standard with chain
 GSP-CH-F: Without chain (adapter is mounted directly on the pincer grip).

| | |
|--------------------------|--|
| • Item No. | GSP-CH |
| • Tensile force | 20 N |
| • Opening | 0 – 3.4 mm |
| • Jaws | Smooth (blank) jaws |
| • Clamping surface H x W | 10 x 10 mm |
| • Body | Aluminium, anodized |
| • Temperature range | 0 up to +180°C |
| • Weight | 98 gram |
| • Scope of delivery | GSP-CH: 1 pincer grip incl. chain GSP-CH-F: 1 pincer grip without chain |



GSP-CH



GSP-CH



GSP-CH-F