

# Scissor grips 5, 20 and 50 kN

Self-tightening and self-aligning grips

The initial clamping force is due to spring tension. The ratio of clamping force to tensile force changes according to the opening width. The larger the opening width the stronger the grips tighten the specimen. The jaws tighten as force is applied.

## GSS-5T Scissor grips

• Item No.	GSS-5T
• Tensile force	5 kN
• Opening	0 – 19 mm
• Sample width	50 mm
• Body	Stainless steel
• Temperature range	-70 up to +130°C Other temperature ranges on request
• Weight	980 gram each grip (without jaws)

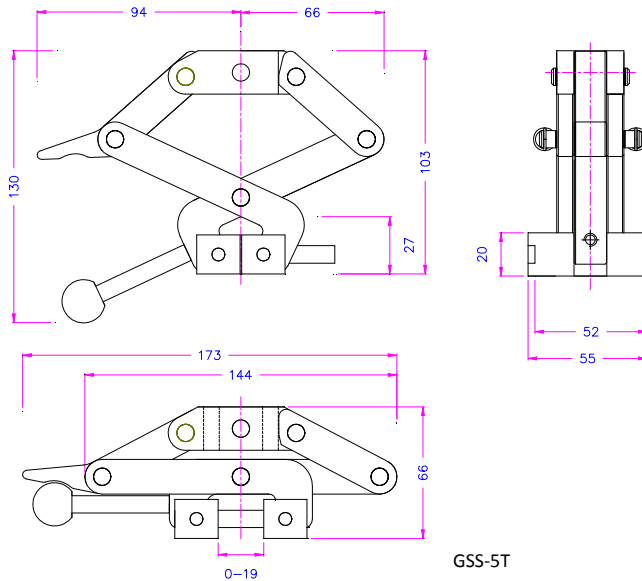
### Jaws for GS-5BT

Item number	Surface	Clamping surface H x W	Weight per pair
GSS-5T-B	Blank (smooth) jaws	20x50 mm	240 gram
GSS-5T-BP	Pyramid (serrated) jaws	20x50 mm	240 gram

Other surfaces on request



GSS-5T with GSS-5T-BP jaws



GSS-5T



### Ordering information

GSS-5T grips are supplied as a pair, but can also be ordered separately (0.5 pair). Grips and jaws need to be ordered separately.

## GSS-20T Scissor grips

With locking function (snap in): the grip locks in position.

• Item No.	GSS-20T
• Tensile force	20 kN
• Opening	Flat jaws 0 – 25 mm Round jaws 0 – 20 mm V-jaws for round specimen: 4 – 15 mm Ø
• Sample width	50 mm and 100 mm
• Body	Stainless steel
• Temperature range	-70 up to +130°C Other temperature ranges on request
• Weight	2 kg each grip (without jaws)



GSS-20T with GSS-20T-BW100 jaws

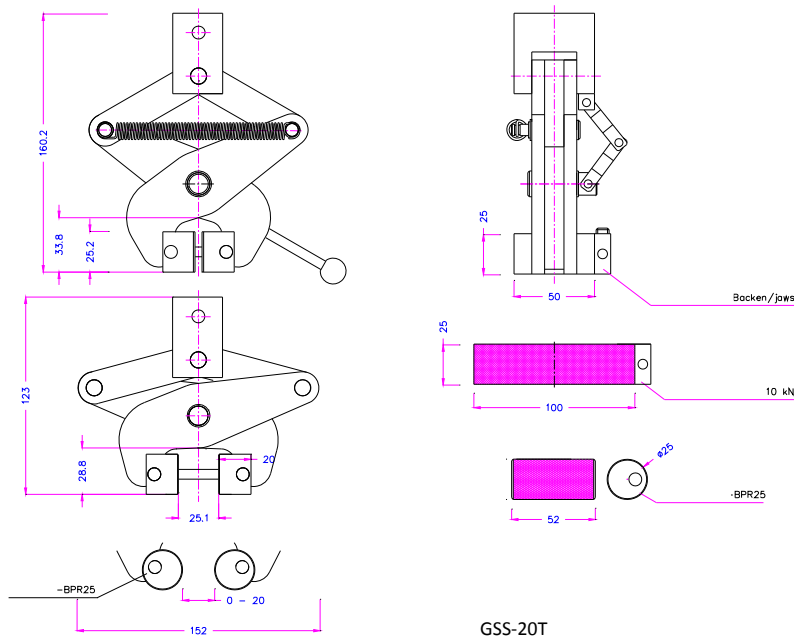
### Jaws for GSS-20T

Item number	Surface	Clamping surface H x W	Weight per pair
GSS-20T-B	Blank (smooth) jaws	25x50 mm	0.34 kg
GSS-20T-BP	Pyramid (serrated) flat jaws	25x50 mm	0.33 kg
GSS-20T-BPR*	Pyramid (serrated) round jaws	Ø 25 mm x 52 mm	0.31 kg
GSS-20T-BV4	V-jaws for round specimen	Samples 4-15 mm Ø	0.45 kg
GSS-20T-BW	Wave jaws	25x50 mm	0.32 kg
GSS-20T-B100**	Blank (smooth) jaws	25x 100 mm	0.74 kg
GSS-20T-BP100**	Pyramid (serrated) flat jaws	25x100 mm	0.72 kg
GSS-20T-BW100**	Wave jaws	25x100 mm	0.69 kg

Other surfaces on request

\* Round jaws are applicable for dumbbell-shaped specimen (bone shaped samples).  
\*\*By use of 100 mm width jaws tensile force is reduced to 10kN.

B - Blank (smooth) jaws - Suitable for own further treatments - Steel blanks without coating	BP – Multi purpose application range - Pyramid (serrated) jaws 1.2x45° - Hardened steel 58HRC, nickel plated	BV-jaws- for all kinds of round samples - Tooth pitch 1.2 mm - Hardened steel 58 HRC, nickel plated	BW Wave jaws – For textile specimen - Wave 5mm - Hardened steel 58 HRC, nickel plated



GSS-20T



GSS-20T with GSS-20T-BR jaws



**Ordering information**

GS-20BT grips are supplied as a pair, but can also be ordered separately (0.5 pair). Grips and jaws need to be ordered separately.

**GSS-50T Scissor grips**

With locking function (snap in): the grip locks in the opened position.

• Item No.:	GSS-50T
• Tensile force:	50 kN
• Opening	Flat jaws 0 – 48 mm V-jaws for round specimen: 10 - 48 mm Ø
• Sample width	100 mm
• Body	Steel, manganese phosphate coating
• Temperature range	0 up to +130°C Other temperature ranges on request
• Weight	9.1 kg each grip (without jaws)

**Jaws for GSS-50T**

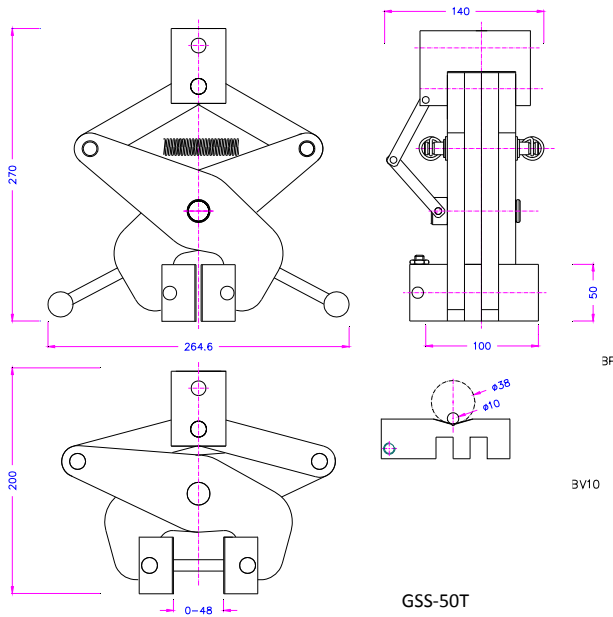
Item number	Surface	Clamping surface H x B	Weight per pair
GSS-50T-BP	Pyramid (serrated) jaws	50x100 mm	1.9 kg
GSS-50T-BV10	V-jaws	Samples 10-48 mm Ø	2.0 kg

Other surfaces on request



BP Pyramid jaws  
- Pyramid (serrated) jaws 1.2x45°  
- Hardened steel 58 HRC, nickel plated

BV-jaws- for all kinds of round samples  
- Tooth pitch 1.2 mm  
- Hardened steel 58 HRC, nickel plated



GSS-50T with GSS-50T-BP jaws

**Ordering information**

GSS-50T grips are supplied as a pairs but can also be ordered separately (0.5 pair). Grips and jaws need to be ordered separately.

Further scissor grips



**GSS-2T Scissor grip**

Tensile force: 2 kN