

GV-100NT Small vise grip

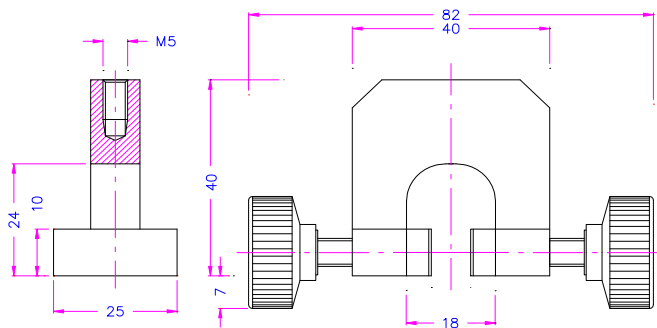
- Applicable for packaging materials, paper, plastic foils, wires, yarns etc
- Tensile force: 100N
- Opening: 0-8 mm (depending on jaws)
- Temperature range 0°C – 130°C (depending on jaw type)
Other temperature ranges available upon request
- Adapter/Coupling: M5 internal thread,
Supplied with 5/8" eye-end for easy exchange
- Body: anodized aluminum
- Weight 60 gram per item (without jaws and adapter)
- Scope of delivery: 1 pair (without jaws)



Jaws for GV-100NT: Scope of delivery 1 Set = 4 jaws

Item number	Surface	Clamping surface H x W	Opening	Weight / per pair
GV-100NT-B25	Blank jaws	10 x 25mm	0 – 8mm	18 gram
GV-100NT-BG25	Rubber jaws	10 x 25mm	0 – 6mm	19 gram
GV-100NT-BP25	Pyramid jaws	10 x 25mm	0 – 8mm	17 gram
GV-100NT-BD25	Diamond jaws	10 x 25mm	0 – 8mm	18 gram
GV-100NT-B50	Blank jaws	10 x 50mm	0 – 6mm	46 gram
GV-100NT-BG50	Rubber jaws	10 x 50mm	0 – 4mm	48 gram
GV-100NT-BP50	Pyramid jaws	10 x 50mm	0 – 6mm	43 gram
GV-100NT-BD50	Diamond jaws	10 x 50mm	0 – 6mm	46 gram
GV-100NT-B100	Blank jaws	10 x 100mm	0 – 6mm	92 gram
GV-100NT-BG100	Rubber jaws	10 x 100mm	0 – 4mm	95 gram
GV-100NT-BP100	Pyramid jaws	10 x 100mm	0 – 6mm	86 gram
GV-100NT-BD100	Diamond jaws	10 x 100mm	0 – 6mm	92 gram

Jaws with other dimensions and surfaces available on request



GV-100NT

Blank jaws

- Suitable for further treatment
- Steel-blanks without coating

Rubber jaws

- 1mm rubber coating (NBR)
- Nickel plated

Pyramid jaws

- Pyramids 0.8x45°
- Hardened steel 58HRC
- Nickel plated

Diamond jaws

- Clamping surface coated with synthetic diamonds
- Nickel plated

Examples for other versions and custom built solutions:



GV-100NT-A4+BP-6K - Made of A4



GV-100NT-BLC-R5 - Radius 5 mm



GV-100NT-S46+BP (opening 46 mm)



GV-100NT-BW25x25