



## GV-5AT

### GV-5AT Vise grip

Opening: 0 – 15mm (depending on jaws)  
Weight: 1.04kg per item (without jaws)

### GV-5AT -H200 Vise grip

Total height: 220mm  
Distance between lower edge of jaws and coupling: 200mm  
Opening: 0 – 44mm (depending on jaws)  
Weight: 1.7kg per item (without jaws)

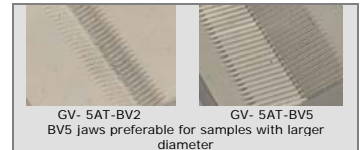
- A versatile general purpose grip applicable for plastics, textiles, paper, steel foils, aluminum etc
- Jaws adjust to specimen by socket bearing
- Tensile force: 5 kN
- Temperature range: 0°C - +180°C (depending on jaws)  
Other temperature ranges possible on request
- Body: aluminum, anodized
- Scope of delivery: 1 pair without jaws
- Also as pneumatic grip available  
(see data sheet GV- 5AT+ko)



**Jaws for GV- 5AT:** Scope of delivery 1 set = 4 jaws

| Item No.    | Surface      | Clamping surface<br>H x W | Opening<br>GV- 5AT | Opening<br>GV- 5AT-H200 | Weight<br>per pair |
|-------------|--------------|---------------------------|--------------------|-------------------------|--------------------|
| GV- 5AT-B   | Blank jaws   | 30 x 50mm                 | 0 – 15mm           | 0 – 44mm                | 0.22kg             |
| GV- 5AT-BG  | Rubber jaws  | 30 x 50mm                 | 0 – 13mm           | 0 – 42mm                | 0.22kg             |
| GV- 5AT-BP  | Pyramid jaws | 30 x 50mm                 | 0 – 15mm           | 0 – 44mm                | 0.21kg             |
| GV- 5AT-BV2 | V-jaws       | 30 x 50mm                 | Ø 2 – 15 mm        | Ø 2 – 41 mm             | 0.22kg             |
| GV- 5AT-BV5 | V-jaws       | 30 x 50mm                 | Ø 5 – 11 mm        | Ø 5 – 41 mm             | 0.26kg             |
| GV- 5AT-BW  | Wave jaws    | 30 x 50mm                 | 0 – 15mm           | 0 – 44mm                | 0.20kg             |
| GV- 5AT-BD  | Diamond jaws | 30 x 50mm                 | 0 – 15mm           | 0 – 44mm                | 0.22kg             |

Jaws with other dimensions and surface coatings on request

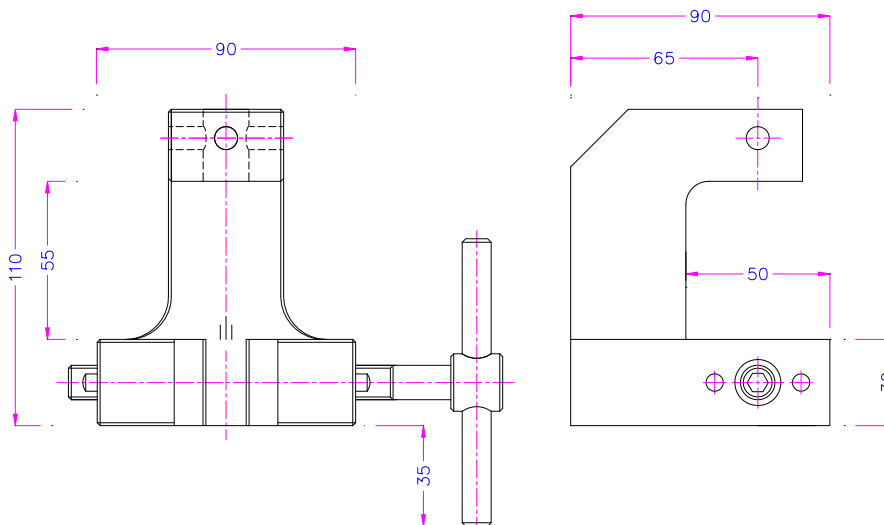


**Inset jaws for GV- 5AT:** Scope of delivery 1 set = 4 jaws

Quick change system - Inset jaws require carriers (GV- 5AT-GT)

| Item No.    | Surface            | Clamping surface<br>H x W | Opening<br>GV- 5AT | Opening<br>GV- 5AT-H200 | Weight<br>per pair |
|-------------|--------------------|---------------------------|--------------------|-------------------------|--------------------|
| GV- 5AT-GT  | Carrier            | -                         |                    |                         | 0.18kg             |
| GV- 5AT-EB  | Blank inset jaws   | 30 x 50mm                 | 0 – 5mm            | 0 – 34mm                | 0.14kg             |
| GV- 5AT-EBG | Rubber inset jaws  | 30 x 50mm                 | 0 – 3mm            | 0 – 32mm                | 0.14kg             |
| GV- 5AT-EBP | Pyramid inset jaws | 30 x 50mm                 | 0 – 5mm            | 0 – 34mm                | 0.13kg             |
| GV- 5AT-EBD | Diamond inset jaws | 30 x 50mm                 | 0 – 5mm            | 0 – 34mm                | 0.14kg             |

Jaws with other dimensions and surface coatings on request



**Blank jaws**

- Suitable for own further treatments
- Steel-blanks without coating

**Rubber jaws**

- 1mm rubber coating (NBR)
- Nickel plated

**Pyramid jaws**

- Pyramid 1.2x45°
- Hardened steel 58 HRC
- Nickel plated

**V-jaws**

- For all kinds of round samples
- Tooth pitch 1.2 mm.
- Tempered steel 58 HRC,
- Nickel plated

**Wave jaws**

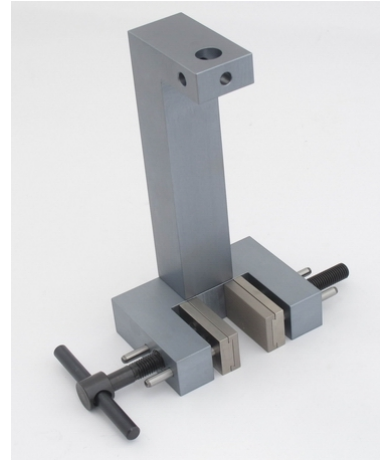
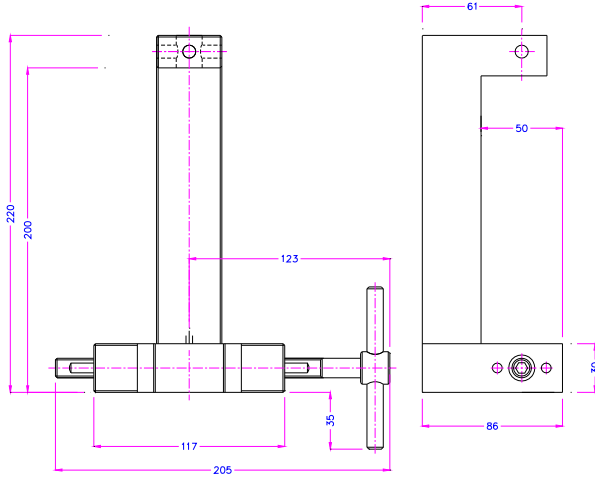
- For flexible materials
- Wave 5 mm
- Hardened steel 58 HRC
- Nickel plated

**Diamond jaws**

- Clamping surface coated with synthetic diamonds
- Nickel plated



# GV-5AT

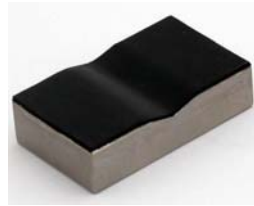


GV- 5AT-H200+GT+EBP

## Examples of other versions and custom built solutions



GV- 5AT-EI  
Optional for GV- 5AT quick-release lever



GV- 5AT-BVG  
Rubber coated V-jaws



GV- 5AT-BP25x25  
Clamping surface 25x25mm

## Pneumatic versions (see data sheet GV- 5AT+ko)



GV- 5AT+Ko+BW



GV- 5AT+2Ko+BP



GV- 5AT-H200+Ko+BV  
with Adapter THS626-158-317