



## GV-5T

### GV-5T Vise grip

- Opening: 0 - 24mm (depending on jaws)
- Weight: 1.30 kg each grip (without jaws)

### GV-5T-S50 Vise grip

- Opening: 0 - 50mm (depending on jaws)
- Weight: 1.30 kg each grip (without jaws)

### GV-5T-S100 Vise grip

- Opening: 10 - 100mm (depending on jaws)
- Weight: 2.22kg each grip (without jaws)

- Tensile force: 5 kN
- Temperature range: 0°C - +180°C  
Other temperature ranges possible on request
- Body: Aluminum, anodized
- Scope of delivery: 1 pair (without jaws)
- Also as pneumatic grip available  
(see data sheet GV-5T+Ko)



### Jaws for GV-5T: Scope of delivery 1 set = 4 jaws

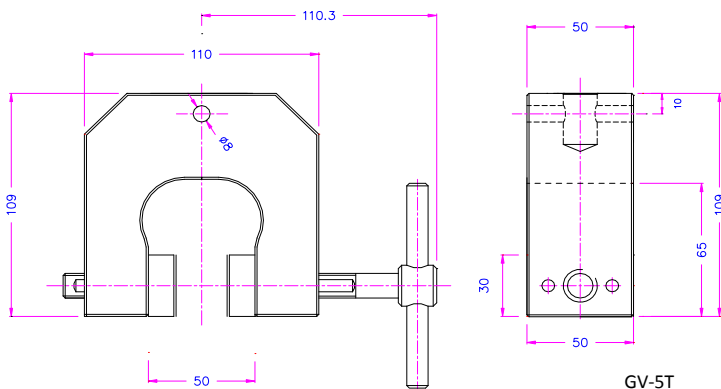
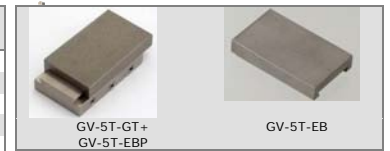
Item No.	Surface	Clamping surface H x W	Opening GV-5T	Opening GV-5T-S50	Opening GV-5T-S100	Weight per pair
GV-5T-B	Blank jaws	30x50mm	0-30mm	0-50mm	-	0.22kg
GV-5T-BG	Rubber jaws	30x50mm	0-28mm	0-50mm	-	0.22kg
GV-5T-BP	Pyramid jaws	30x50mm	0-30mm	0-50mm	-	0.21kg
GV-5T-BV2	V-jaws	30x50mm	Ø 2-30mm	Ø 2-50mm	-	0.22kg
GV-5T-BV5	V-jaws	30x50mm	Ø 5-30mm	Ø 5-50mm	-	0.25kg
GV-5T-BW	Wave jaws	30x50mm	0-30mm	0-50mm	-	0.20kg
GV-5T-BD	Diamond jaws	30x50mm	0-30mm	0-50mm	-	0.22kg
GV-5T-B80	Blank jaws	30x80mm	0-26mm	0-48mm	10-100mm	0.43kg
GV-5T-BG80	Rubber jaws	30x80mm	0-24mm	0-46mm	8-98mm	0.44kg
GV-5T-BP80	Pyramid jaws	30x80mm	0-26mm	0-48mm	10-100mm	0.42kg
GV-5T-BW80	Wave jaws	30x80mm	0-26mm	0-48mm	10-100mm	0.39kg
GV-5T-BD80	Diamond jaws	30x80mm	0-26mm	0-48mm	10-100mm	0.43kg
GV-5T-B100	Blank jaws	30x100mm	0-26mm	0-48mm	10-100mm	0.54kg
GV-5T-BG100	Rubber jaws	30x100mm	0-24mm	0-46mm	8-98mm	0.55kg
GV-5T-BP100	Pyramid jaws	30x100mm	0-26mm	0-48mm	10-100mm	0.53kg
GV-5T-BW100	Wave jaws	30x100mm	0-26mm	0-48mm	10-100mm	0.51kg
GV-5T-BD100	Diamond jaws	30x100mm	0-26mm	0-48mm	10-100mm	0.54kg



### Inset jaws for GV-5T: Scope of delivery 1 set = 4 jaws

Quick change system - inset jaws require carriers (GV-5T-GT)

Item No.	Surface	Clamping surface H x W	Opening GV-5T	Opening GV-5T-S50	Weight per pair
GV-5T-GT	Carrier	-	-	-	0.18kg
GV-5T-EB	Blank inset jaws	30 x 50mm	0 - 20mm	0 - 30mm	0.14kg
GV-5T-EBG	Rubber inset jaws	30 x 50mm	0 - 18mm	0 - 30mm	0.14kg
GV-5T-EBP	Pyramid inset jaws	30 x 50mm	0 - 20mm	0 - 30mm	0.13kg
GV-5T-EBD	Diamond inset jaws	30 x 50mm	0 - 20mm	0 - 30mm	0.14kg



GV-5T

**Blank jaws**

- Applicable for own further treatments
- Steel blanks without coating

**Rubber jaws**

- 1mm rubber coating (NBR)
- Nickel plated

**Pyramid jaws**

- Pyramids 1,2x45°
- Hardened steel 58 HRC
- Nickel plated

**V-jaws**

- For all kinds of round samples
- Tooth pitch 1.2 mm
- Hardened steel 58HRC
- Nickel plated

**Wave jaws**

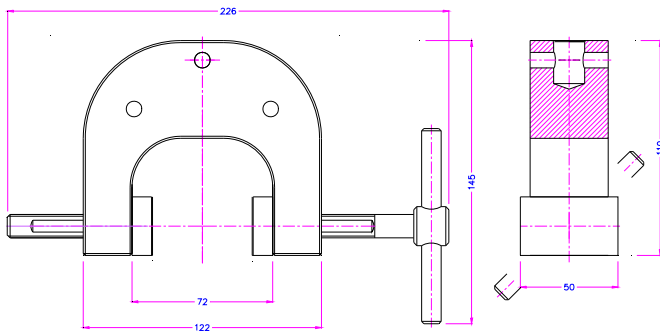
- For flexible materials
- Wave 5 mm
- Hardened steel 58HRC
- Nickel plated

**Diamond jaws**

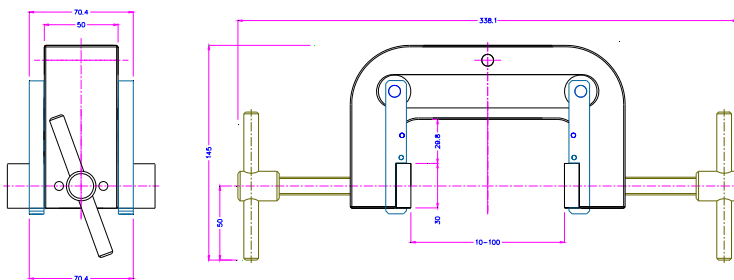
- Clamping surface coated with synthetic diamonds
- Nickel plated



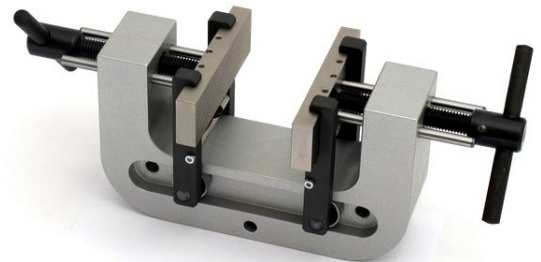
# GV-5T



GV-5T-S50



GV-5T-S100



### Examples of special construction designs

<p>GV-5T-S50+GV-5T-BS12 Special jaws</p>	<p>GV-5T+EL+BV30x100 Quick release lever + Special jaws</p>	<p>GV-5T-S70 Opening 0-70mm</p>
<p>GV-5T-BG50x50 HxW 50x50mm</p>	<p>GV-5T-BW50x60 HxW 50x60mm</p>	<p>GV-5T-BVG Rubber coated V-jaws</p>

### Pneumatic versions (see data sheet GV-5T+ko)

<p>GV-5T+Ko+BP</p>	<p>GV-5T+2Ko+BV</p>