



## GW-2T

### Wedge grip 2 kN

Applicable for smaller samples.

#### Ordering information

GW-2T grips are supplied as a pair, but can also be ordered separately (0.5 pair).  
Grips and jaws need to be ordered separately.

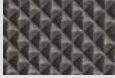



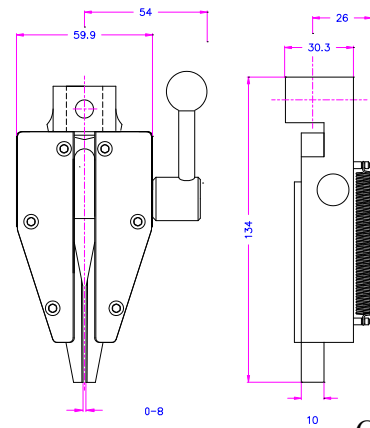
Item No.	GW-2T
• Tensile force	2 kN
• Body	Steel, manganese phosphate coated
• Temperature range	0°C up to +130°C Further temperature ranges on request
• Weight	0.9 kg (without jaws)
• Scope of delivery	1 pair (without jaws)

#### Jaws for GW-2T: Scope of delivery 1 set = 4 jaws

Item No.	Surface	Clamping surface H x W	Opening	Weight per pair
GW-2T-BP	Pyramid jaws (serrated)	40x10 mm	0 – 8 mm	0.15 kg
GW-2T-BV	V-jaws	Clamping height 40 mm	2 – 8 mm Ø	0.15 kg

Further jaw surfaces available upon request.

	<b>BP: Multi-purpose application range</b> Pyramids (serrated) 0.8x45°, hardened steel
	<b>BV: For all kinds of round samples</b> Tooth pitch 0.8 mm, hardened steel



GW-2T

#### Similar grips

