



## GW527

### Moving Body Wedge Grip 20, 50, 100, 150 kN

Grip body moves down and tightens the specimen. Jaws only move horizontally. Clamping force is generated during the test by wedges.

Ideal for metals, composites, and high-strength samples.

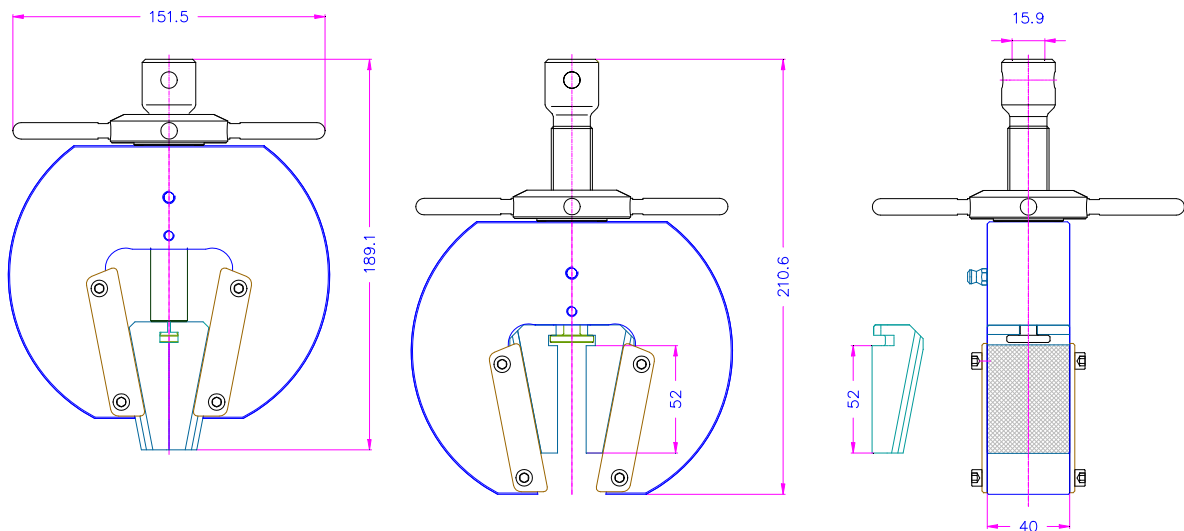


Item No.	GW527-20
• Tensile force	20 kN
• Body	Hardened Steel or Nickel coated
• Temperature range	0°C up to +130°C -80°C up to +280°C (Nickel coated option)
• Weight	5.5 kg (without jaws)
• Scope of delivery	1 pair (without jaws)

Jaws for GW527-20 Scope of delivery 1 set = 4 jaws

Item No.	Surface	Clamping surface (H x W)	Opening	
GW527-20-BP10	Pyramid jaws (serrated)	52x40 mm	0 – 10 mm	
GW527-20-BP16	Pyramid jaws (serrated)	52x40 mm	6 - 16 mm	
GW527-20-BP22	Pyramid jaws (serrated)	52x40 mm	12 - 22 mm	
GW527-20-BV10	V-jaws	52x40 mm	3 - 10 mm Ø	
GW527-20-BV16	V-jaws	52x40 mm	6 - 16 mm Ø	
GW527-20-BV22	V-jaws	52x40 mm	12 – 22 mm Ø	

Further jaw surfaces available upon request.



20kN 5.5kg

BP10	0–10	BV10	– 3–10 Ø
BP16	6–16	BV16	– 8–16 Ø
BP22	12–22	BV22	– 12–22 Ø

GW527-20



# GW527

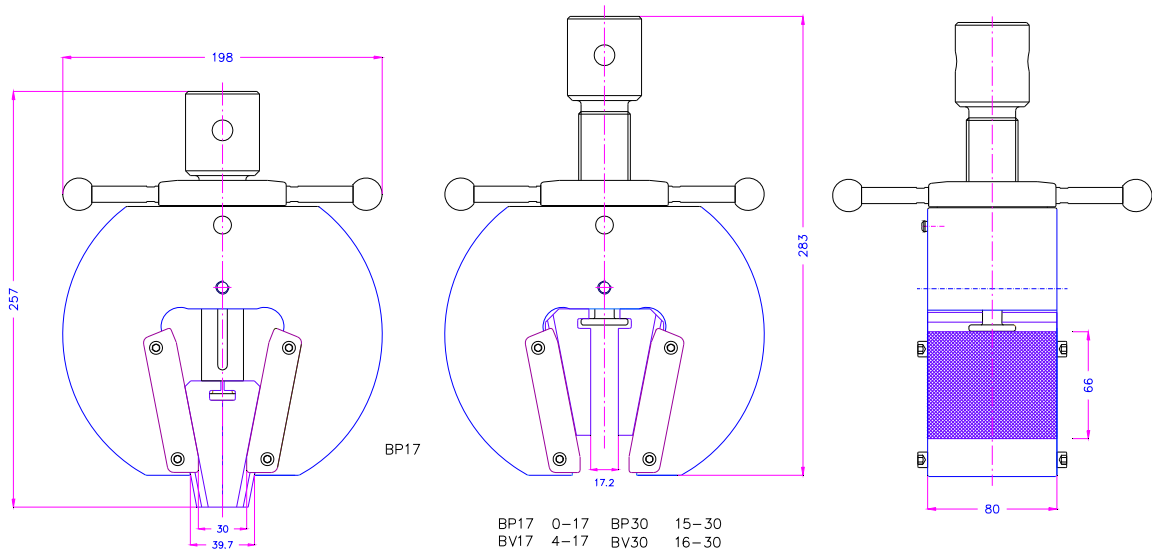
<b>Item No.</b>	<b>GW527-50</b>
• Tensile force	50 kN
• Body	Hardened Steel or Nickel coated
• Temperature range	0°C up to +130°C -80°C up to +280°C (Nickel coated option)
• Weight	17 kg (without jaws)
• Scope of delivery	1 pair (without jaws)



**Jaws for GW527-50** Scope of delivery 1 set = 4 jaws

Item No.	Surface	Clamping surface (H x W)	Opening	
GW527-50-BP17	Pyramid jaws (serrated)	66x80 mm	0 - 17 mm	
GW527-50-BP30	Pyramid jaws (serrated)	66x80 mm	15 - 30 mm	
GW527-50-BV17	V-jaws	66x80 mm	4 - 17 mm Ø	
GW527-50-BV30	V-jaws	66x80 mm	16 - 30 mm Ø	

Further jaw surfaces available upon request.



## GW527-50



# GW527

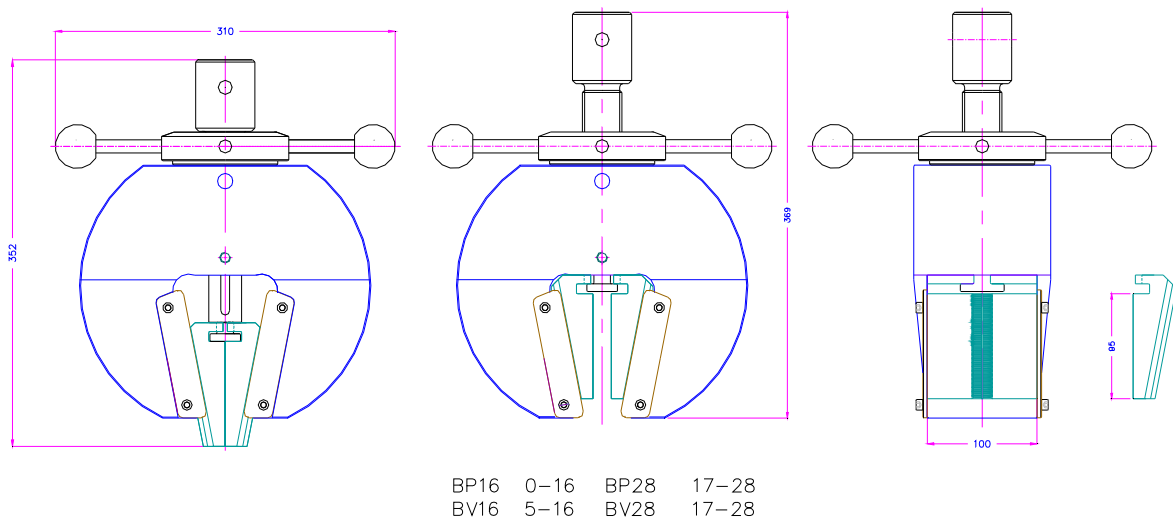
<b>Item No.</b>	<b>GW527-100</b>
• Tensile force	100 kN
• Body	Hardened Steel or Nickel coated
• Temperature range	0°C up to +130°C -80°C up to +280°C (Nickel coated option)
• Weight	48 kg (without jaws)
• Scope of delivery	1 pair (without jaws)



**Jaws for GW527-100** Scope of delivery 1 set = 4 jaws

Item No.	Surface	Clamping surface (H x W)	Opening	
GW527-100-BP16	Pyramid jaws (serrated)	95x100 mm	0 - 16 mm	
GW527-100-BP28	Pyramid jaws (serrated)	95x100 mm	17 - 28 mm	
GW527-100-BV16	V-jaws	95x100 mm	5 - 16 mm Ø	
GW527-100-BV28	V-jaws	95x100 mm	17 - 28 mm Ø	

Further jaw surfaces available upon request.



## GW527-100



# GW527

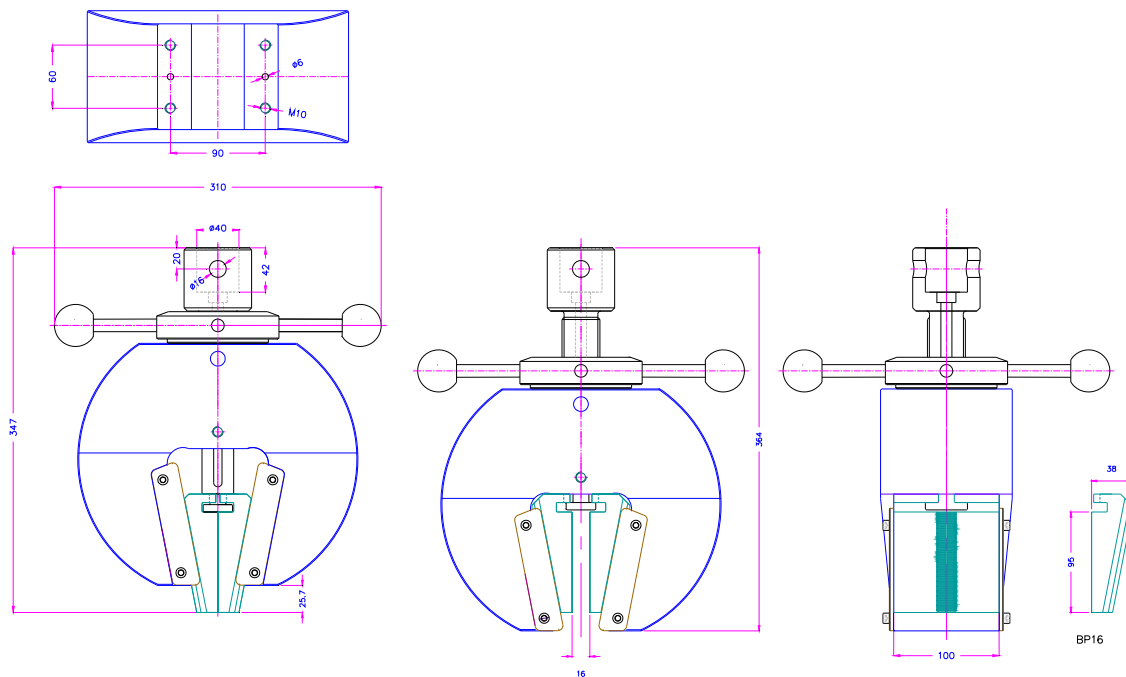
<b>Item No.</b>	<b>GW527-150</b>
• Tensile force	150 kN
• Body	Hardened Steel or Nickel coated
• Temperature range	0°C up to +130°C -80°C up to +280°C (Nickel coated option)
• Weight	48 kg (without jaws)
• Scope of delivery	1 pair (without jaws)



**Jaws for GW527-150** Scope of delivery 1 set = 4 jaws

Item No.	Surface	Clamping surface (H x W)	Opening	
GW527-150-BP16	Pyramid jaws (serrated)	95x100 mm	0 - 16 mm	
GW527-150-BP28	Pyramid jaws (serrated)	95x100 mm	17 - 28 mm	
GW527-150-BV16	V-jaws	95x100 mm	5 - 16 mm Ø	
GW527-150-BV28	V-jaws	95x100 mm	17 - 28 mm Ø	

Further jaw surfaces available upon request.







48kg

BP16 0-16    BP28 17-28  
BV16 5-16    BV28 17-28

## GW527-150

**Custom Solutions:**

	<p><b>GW527-30-Ni</b></p> <p>30kN Moving Body Wedge Grip</p> <p>Nickel Teflon coated</p> <p>For use in ovens up to 250°C</p>
	<p><b>GW527-50-Ni</b></p> <p>50kN Moving Body Wedge Grip</p> <p>Nickel coated</p> <p>For use in ovens up to 280°C</p> <p>* At 280°C: Max force declines by 30%</p>
	<p><b>GW527-50 with GW527-50-BP125</b></p> <p>Jaw clamping surface: 125x110mm</p>
	<p><b>GW527-200</b></p> <p>High Capacity Moving Body Wedge Grip</p> <p>Tensile Force: 200kN</p>