



GW-T-T

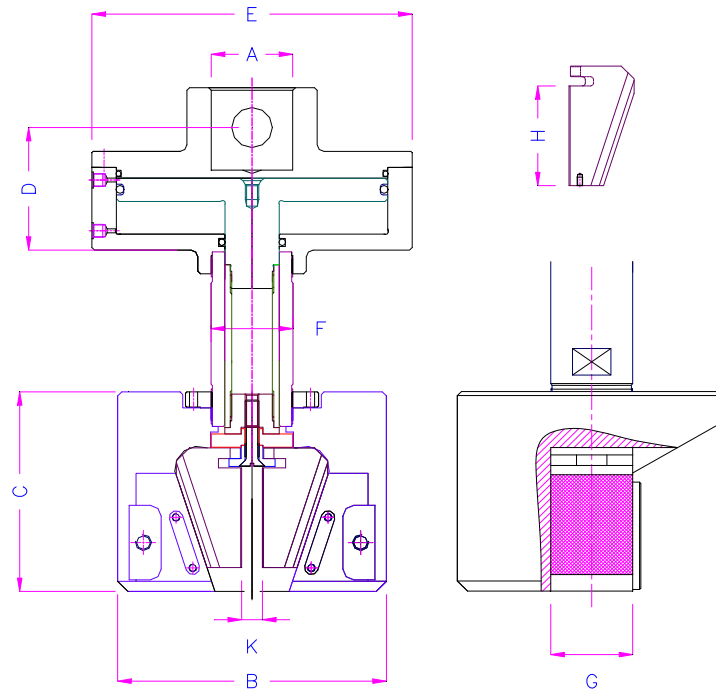
GW-T-T High Temperature Wedge Grips

Wedge grips for use in environmental chambers

Temperature ranges available:
 -70°C (-95°F) up to 350°C (662°F)
 -180°C (-292°F) up to 400°C (752°F)



Wedges move forward and create an axial load.
 Zero load as both grip faces close.



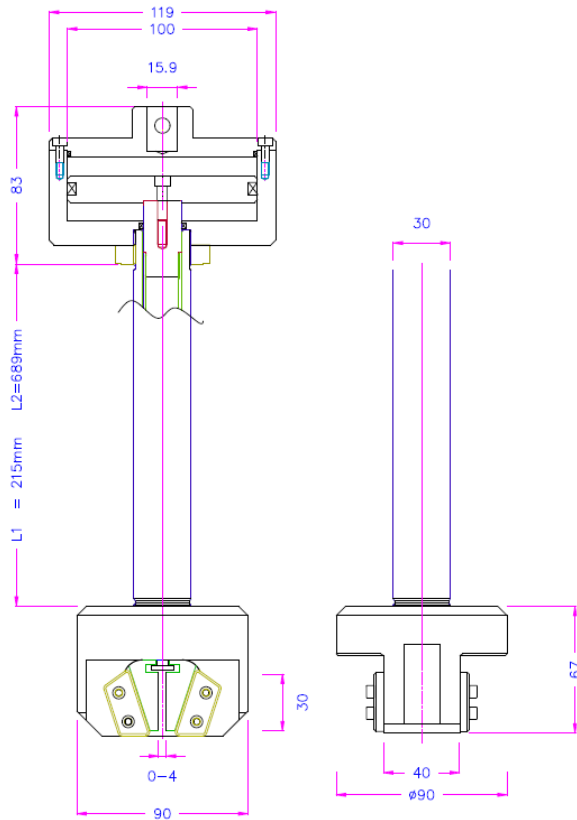
	Load	A	B	C	D	E	F	G	H	K	Hydraulic / Pneumatic
	kN	mm	mm	mm	mm	mm	mm	mm	mm	mm	
GW-10T-T-Ko	10	15.9	90	78	63	120	30	40	30	0-7	Pneumatic
GW-20T-T-Ko	20	15.9	150	100	81	158	40	50	50	0-14	Pneumatic
GW-50T-T-Ko	50	31.8	198	120	101	236	54	60	67	0-14	Pneumatic
GW-100T-T-Ko	100	40	198	150	92	236	60	60	75	0-15	Pneumatic



GW-T-T

GW-100T-T-Hy	100	40	198	150	92	236	60	60	75	0-15	Hydraulic
GW-250T-Hy	250	60	296	225	170	198	90	80	110	0-19	Hydraulic

GW-10T-T425°
10kN pneumatic



GW-50T-T-Ko

Max capacity: 50kN
Clamping force: 21kN at 7 bar pressure





GW-100T-T-Ko

Max capacity: 100kN
Rod diameter: 200mm
Clamping force: 30kN with 7 bar
* 64kN with 15 bar available as an option



GW-250T-T-Hy

Max capacity: 250kN



<p>Accessories</p>	
	<p>GP-8</p> <p>2 pneumatic foot switches, tubes, and fittings For double action rods</p>
	<p>GP-CR Silent Oil-lubricated Compressor</p> <p>230Volt / 50Hz Max. pressure: 16 Bar Noise level: 45dB(A) 400 Watt Displacement: 25 l/min Dimensions: 382x300x334mm (L x W x H) Tank size: 4 Liter, weight ~ 23 kg</p>
	<p>Air Driven Hydraulic Pump</p> <p>0-350 bar 220 Volt 1 A 0-10 Volt input → 0-400 bar output</p> 