



GW-XT

## GW-XT High Capacity Wedge Grip

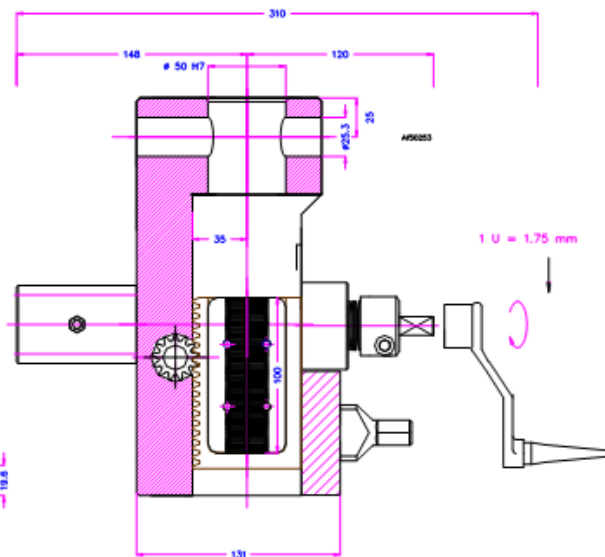
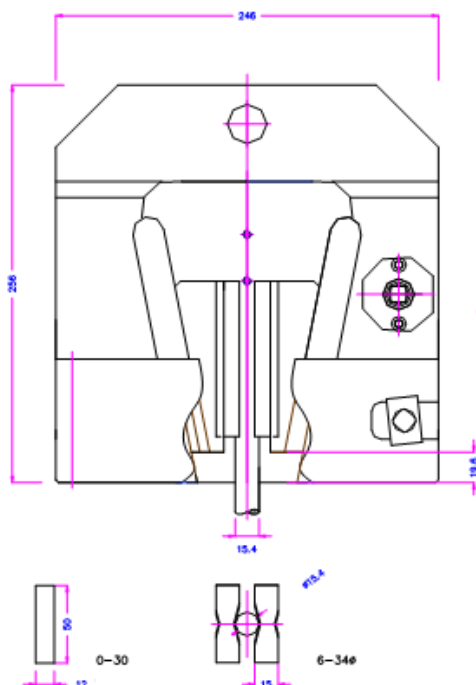
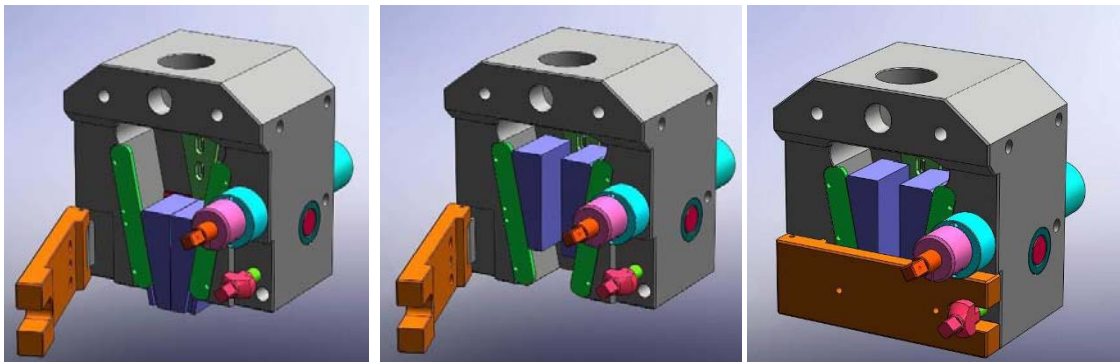
Suitable for high strength samples such as metals.  
 Note: Not recommended for hardened or fiber samples.

Easy to use: The grips feature a crank to open and close the front gear.  
 Customization available, see pages below for custom grip and insert examples.



Item No.	GW-100XT
• Tensile force	100 kN
• Body	Steel, Nickel-plated
• Temperature range*	0°C to +70°C
• Standard coupling	40mm female eye end
• Weight	46 kg per grip
• Scope of delivery	1 pair (without jaws)

\* Further temperature ranges available on request



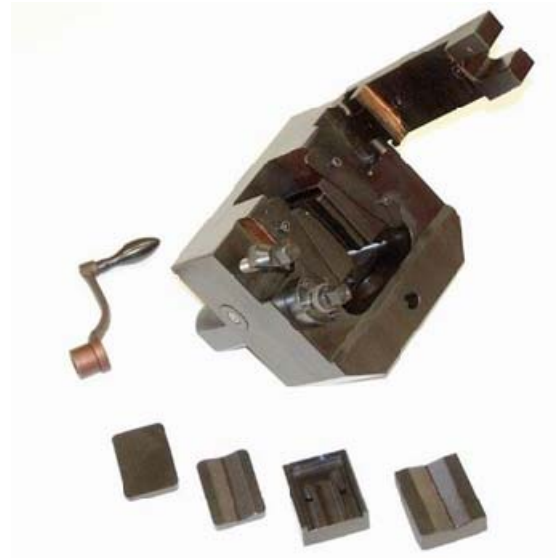
GW-100XT



## GW-XT

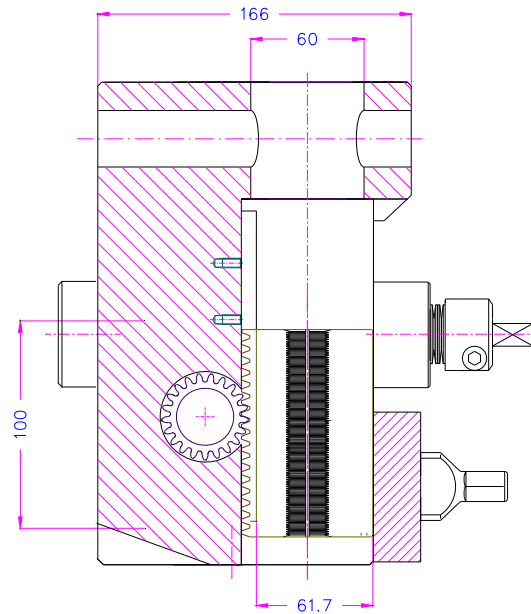
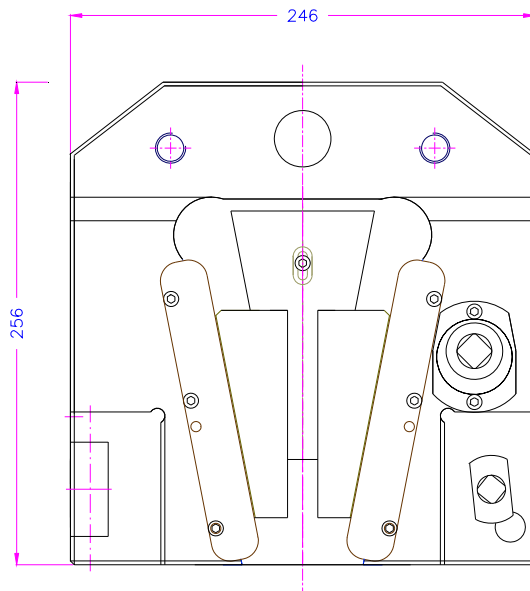
Item No.	GW-150XT
• Tensile force	150 kN
• Body	Steel, Nickel-plated
• Temperature range*	0°C to +70°C
• Standard coupling	50mm female eye end
• Weight	50 kg per grip
• Scope of delivery	1 pair (without jaws)

\* Further temperature ranges available on request



Item No.	GW-250XT
• Tensile force	250 kN
• Body	Steel, Nickel-plated
• Temperature range*	0°C to +70°C
• Standard coupling	60mm female eye end
• Weight	70 kg per grip
• Scope of delivery	1 pair (without jaws)

\* Further temperature ranges available on request

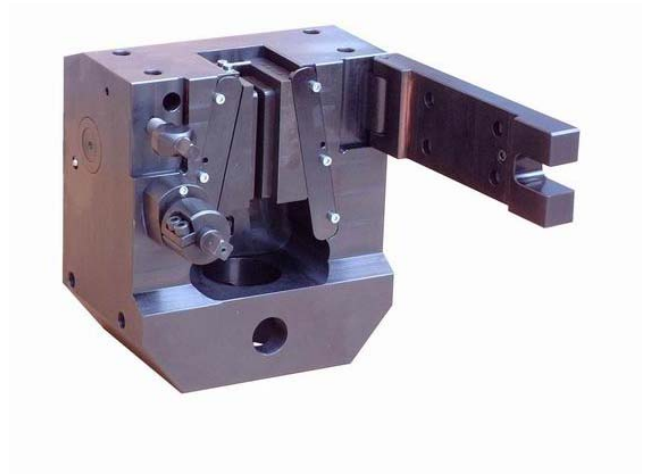


GW-250XT

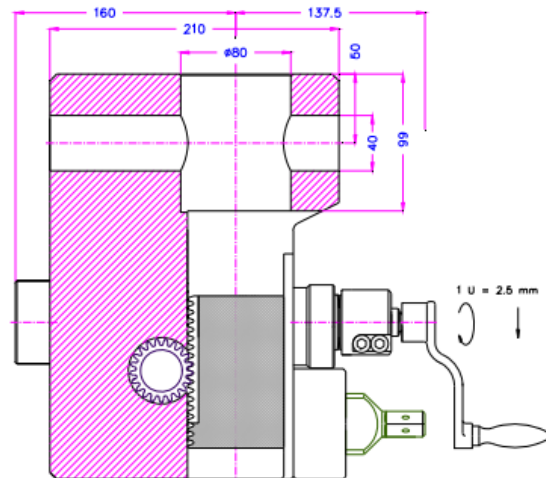
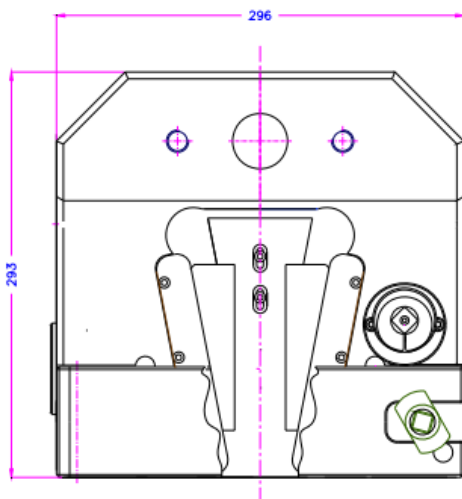


## GW-XT

Item No.	GW-300XT
• Tensile force	300 kN
• Body	Steel, Nickel-plated
• Temperature range*	0°C to +70°C
• Standard coupling	60mm female eye end
• Weight	75 kg per grip
• Scope of delivery	1 pair (without jaws)



Item No.	GW-500XT
• Tensile force	500 kN
• Body	Steel, Nickel-plated
• Temperature range*	0°C up to 70°C
• Standard coupling	80mm female eye end
• Weight	100 kg per grip
• Scope of delivery	1 pair (without jaws)



GW-500XT



## GW-XT

### Jaws for GW-XT

Scope of delivery 1 set = 4 jaws

Item No.	Surface	Clamping surface (H x W)	Opening	
GW-XT-BP30	Pyramid jaws (serrated)	60 x 110 mm	0 – 30 mm	
GW-XT-BP50	Pyramid jaws (serrated)	60 x 110 mm	26 – 50 mm	
GW-XT-BV30	V-jaws	60 x 110 mm	6 – 30 mm Ø	
GW-XT-BV50	V-jaws	60 x 110 mm	30 – 50 mm Ø	

Further jaw surfaces available upon request.

### Insert Jaws for GW-XT

Scope of delivery 1 set = 4 jaws

Item No.	Surface	Clamping surface (H x W)	Opening	
GW-XT-GT	Quick-Change Insert Carrier	-	-	
GW-XT-EBP30	Pyramid jaws (serrated)	50 x 100 mm	0 – 30 mm	
GW-XT-EBP34	Pyramid jaws (serrated)	50 x 100 mm	4 -34 mm	
GW-XT-EBP40	Pyramid jaws (serrated)	50 x 100 mm	10 - 40 mm	
GW-XT-EBP50	Pyramid jaws (serrated)	50 x 100 mm	20 – 50 mm	
GW-XT-EBV32	V-jaws	50 x 100 mm	5 – 32 mm Ø	
GW-XT-EBV40	V-jaws	50 x 100 mm	12 -40 mm Ø	
GW-XT-EBV44	V-jaws	50 x 100 mm	16 – 44 mm Ø	

Custom jaws available upon request.



Titanium nitride coating





Diamond coated v-jaws



Special jaws for belting

**Custom Solutions:**

	<p><b>GW-100XT-Ni</b></p> <p>100kN Wedge Grip</p> <p>Nickel coated</p> <p>For use in ovens up to 280°C</p>
	<p><b>GW-250XT+Ko</b></p> <p>250kN Wedge Grip</p> <p>Pneumatic version</p> <p>Used with pneumatic grip accessories</p>
	<p><b>GW-250XT, Short version</b></p> <p>For use in limited vertical testing spaces</p>
	<p><b>GW-250XT with CPC, Circular Compression Platen</b></p> <p>Different platen diameter options available</p>



## GW-XT

	<p><b>GW-500XT with FF-T, Bend Fixture</b></p> <p>Various bend fixture span lengths and support diameters available</p>
	<p><b>GW-300XT-Ni with Custom Adapter</b></p> <p>Nickel coated</p> <p>To be used in environmental chambers</p>
	<p><b>Wedge Adapter</b></p> <p>For mounting other grips and fixtures directly on the GW-XT grips</p> <p>Available in different sizes</p>