

Pi Peak Load Indicator

Simple, Low Cost, and Accurate.

An easy-to-use Indicator to Accurately Measure Peak Load and Stress

The Pi Digital Indicator is a simple but effective solution for determining the strength of materials or products in tension, compression or flexure. Typical applications include: concrete cylinder testing according to ASTM C39, cement cube testing according to ASTM C109, concrete beam testing according to ASTM C78, measuring peak load or stress in tension or compression, measuring pull-out or push-in forces, remote on-site testing, and proof load testing.

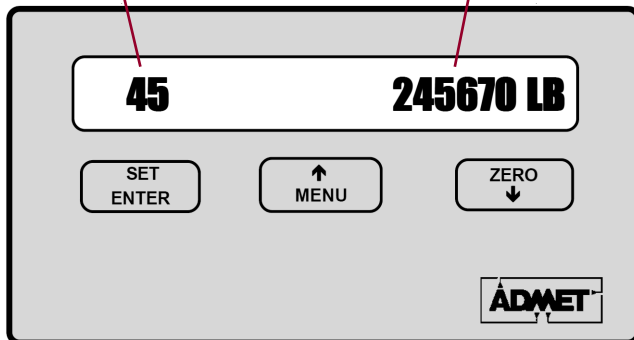
Match a load cell or pressure transducer to the Pi Indicator and connect to a mechanical testing machine to create a rugged, easy-to-use testing system for measuring strength. The Pi Indicator features a 16 character display, three button keypad and exceeds ASTM E4 force accuracy requirements.



Features

Display load or stress rate in units per second (optional).

Display live load and peak load (standard). Display live stress or peak stress (optional).



Feature	Pi	Pi-R	Pi-XS
Live Load/Peak Load	X	X	X
Load Rate		X	X
Live Stress/Peak Stress			X
Stress Rate			X
Select cylinder, cube, or beam specimen geometries			X
Store up to 400 tests to memory and upload to computer using GaugeSafe Data Exchange			X

- Display live load and peak load numerically.
- Optional load rate indication in force units per second (Model Pi-R).
- Optional display of live stress, peak stress and stress rate (Model Pi-XS).
- Optional cylinder, beam and cube specimen geometry selections (Model Pi-XS).
- Optional ability to store up to 400 tests to permanent memory. Results can be uploaded to a computer running ADMET's GaugeSafe Data Exchange Program (Model Pi-XS).
- Select engineering units of Lb, N, KN, and Kg. Optional stress units include psi, kPa, MPa and Kg/sqcm.
- Software programmable calibration with password protection (No potentiometers to adjust.).
- Calibration is stored in permanent nonvolatile memory.
- Accuracy exceeds ASTM E4.
- Resolution greater than 1 part in 8,000,000 (23-bits).
- End of test sample break detector set for 20% of peak load.
- Start test threshold set in firmware.
- Auto-Test-Reset automatically enables the indicator for the start of the next test without requiring operator interaction.
- 0.38" high characters and a 60 degree sloped face for easy viewing.
- Rugged keypad overlay with tactile keys and non-glare non-scratch screen.
- Compatible with full bridge strain gage load cells and pressure transducers.



51 Morgan Drive Norwood, MA 02062
 Tel: (781) 769-0850 Fax: (781) 769-0884
 Sales@ADMET.com www.ADMET.com

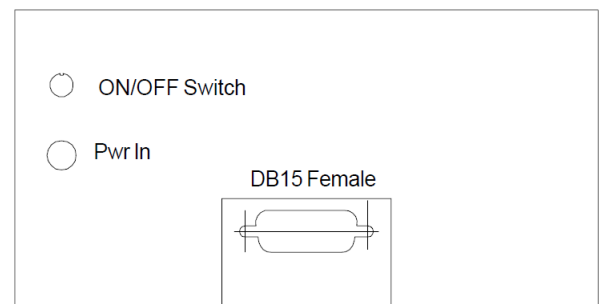
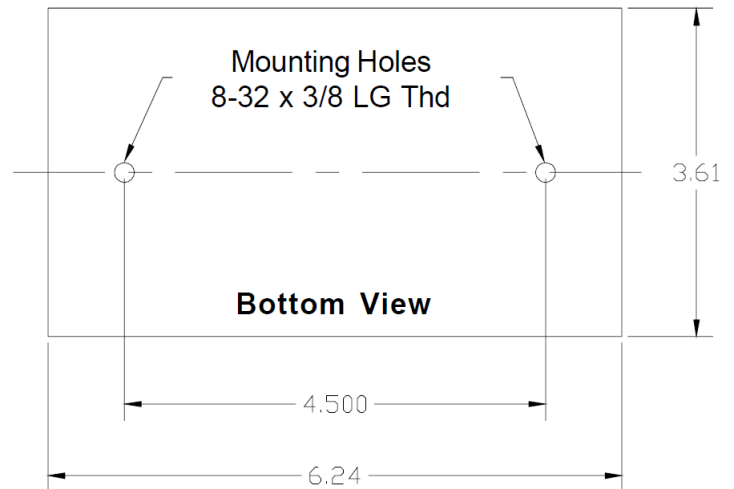
Test With Certainty.

Pi Peak Load Indicator

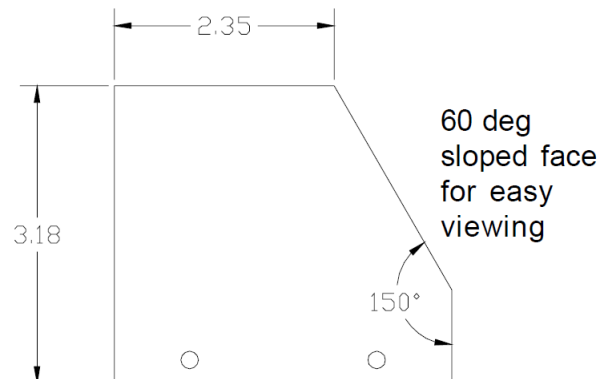
Simple, Low Cost, and Accurate.

System Specifications

Load Input Compatibility	
Sensitivity	+/- 4.2 mv/V standard other input ranges optional
Excitation	10 Vdc standard, 5 Vdc optional
Accuracy	Pi Indicator plus transducer-better than 0.5% of reading from 1% of full scale to full scale (exceeds ASTM E4).
Resolution	1 part in 8,000,000 (23-bits)
CMRR	125db
Connection	DB15 Female
Display	
Type	Transflective Liquid Crystal Display 1 line x 16 characters
Character Height	3/8 inches
# Digits for Load/ Stress	8
# Digits for Load Rate/Stress Rate	5
Keypad	
3-keys each with tactile dome	
Key activation life greater than 2,000,000 cycles	
Power Requirements	
Voltage	12-15 Vdc unregulated-supplied via modular 120 VAC 60Hz wall transformer (standard). Optional battery pack available.
Current	120ma
Model Number	
PI	Peak Load
PI-R	Peak Load & Load Rate
PI-XS	Peak Load/Stress & Load/Stress Rate
Accessories	
Pressure Transducers	1,000 2,500 5,000 10,000 psi includes cable pre-wired for the pi Indicator.
Load Cells	Various Capacities
Other	Battery Pack for Remote Operation. LVDT Conditioning Module.



Rear View

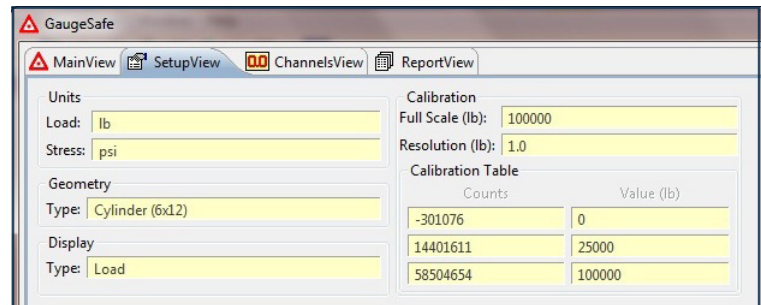


Pi Peak Load Indicator

Simple, Low Cost, and Accurate.

GaugeSafe Data Exchange Program

The GaugeSafe Data Exchange Program is your data link between the **Pi-XS** Digital Indicator and a computer running Windows XP/Vista/7/8. Once the USB connection is made between the **Pi-XS** and GaugeSafe, the current indicator settings are automatically upload to the computer and displayed in the Setup View tab.

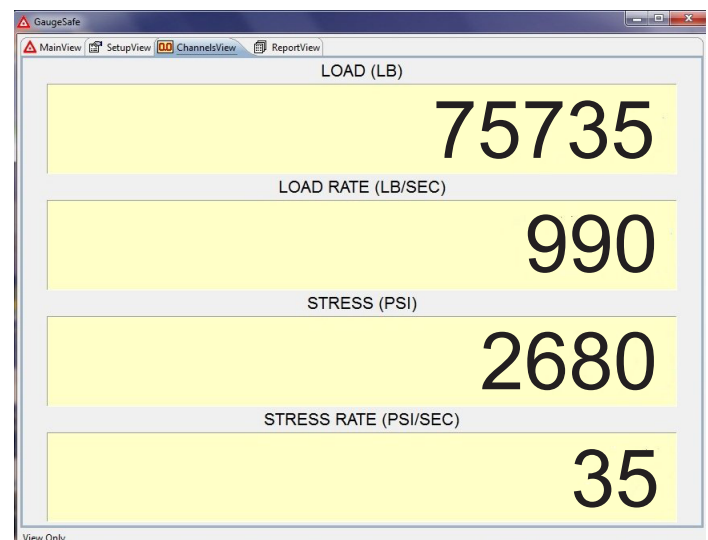


GaugeSafe - Pi-XS Setup View - depicts current load and stress units, specimen geometry and force calibration.

RESULTS					
No.	Date	Time	Type	Maximum Load (lb)	Maximum Stress (psi)
1	11-20-12	10:55:20	Cylinder (6x12)	112077	3964
2	11-20-12	10:56:07	Cylinder (6x12)	104568	3698
3	11-20-12	10:56:43	Cylinder (6x12)	112535	3980
4	11-20-12	10:59:02	Cylinder (6x12)	112542	3980
5	11-20-12	11:04:06	Cylinder (6x12)	107138	3789
Low:				104568	3698
Mean:				109772	3882
High:				112542	3980
Std. Dev.:				3696	131

GaugeSafe - Pi-XS Report View - depicts test results download from Pi-XS Indicator. Results include specimen geometry, peak load and peak stress.

At the completion of each test, the results are automatically stored to permanent memory inside the **Pi-XS** Indicator. Right click in the GaugeSafe Report View tab and download the results to GaugeSafe for viewing or printing. The results can also be exported in ASCII delimited format for easy import into common spreadsheet programs or your company LIMS program.



GaugeSafe Channels View tab.

While the test is underway, view the GaugeSafe Channels View tab for large live numeric display of load, stress, load rate and stress rate.