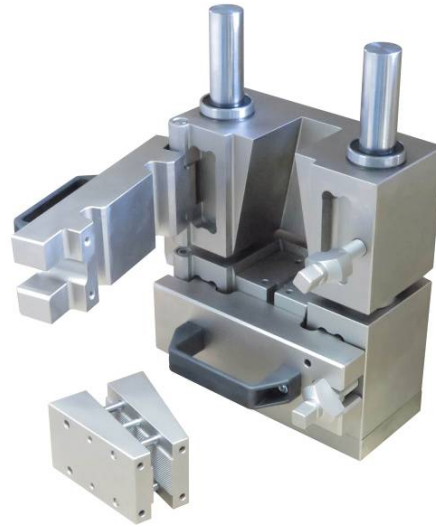




ASTM D3410 Fixture

ASTM D3410 Compression Loading Fixture for Composite Testing

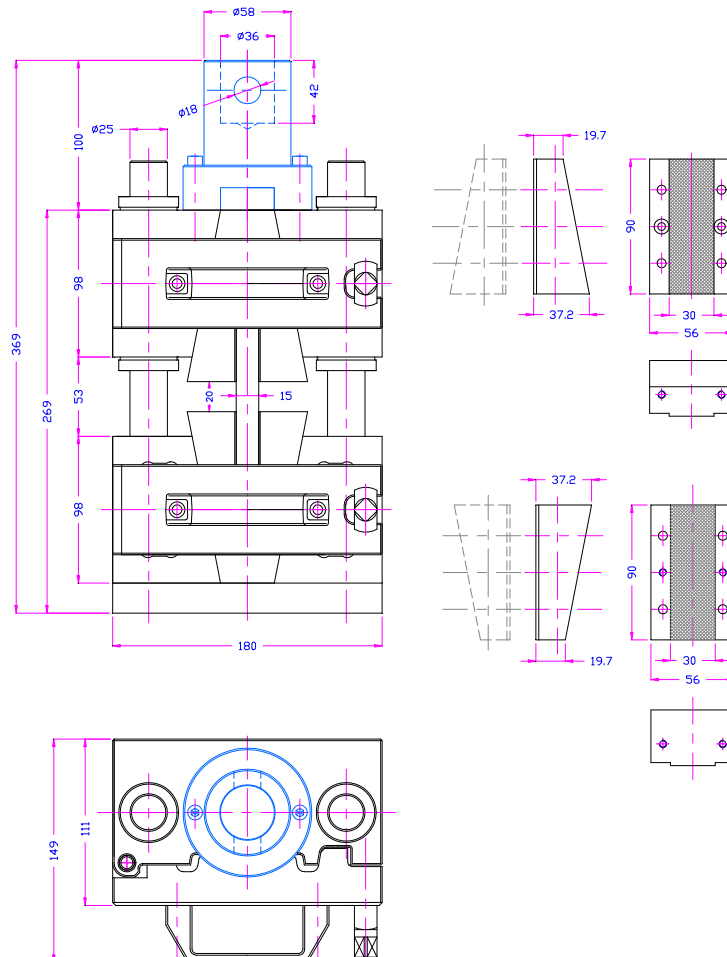
- Conforms to ASTM D3410, ISO 8515, ISO 14126, AITM 1-008
- 2 wedge grips with guiding columns
- Clamping force: 150kN
- Dimensions: 300 x 180 x 98mm
- Standard temperature range: -20 °C - +80°C
- Body: Steel surface, Nickel coated
- Weight: ~25kg (without jaws)



Jaw faces:

Scope of delivery: 1 set = 4 jaw faces

Clamping surface	Clamping surface H x B	Sample Diameter	Weight/ pair
Pyramid jaw faces	30 x 90mm	0 – 6mm	~ 2.2kg
Pyramid jaw faces	30 x 90mm	6 - 15mm	~ 1.8kg



Compression Loading Fixture