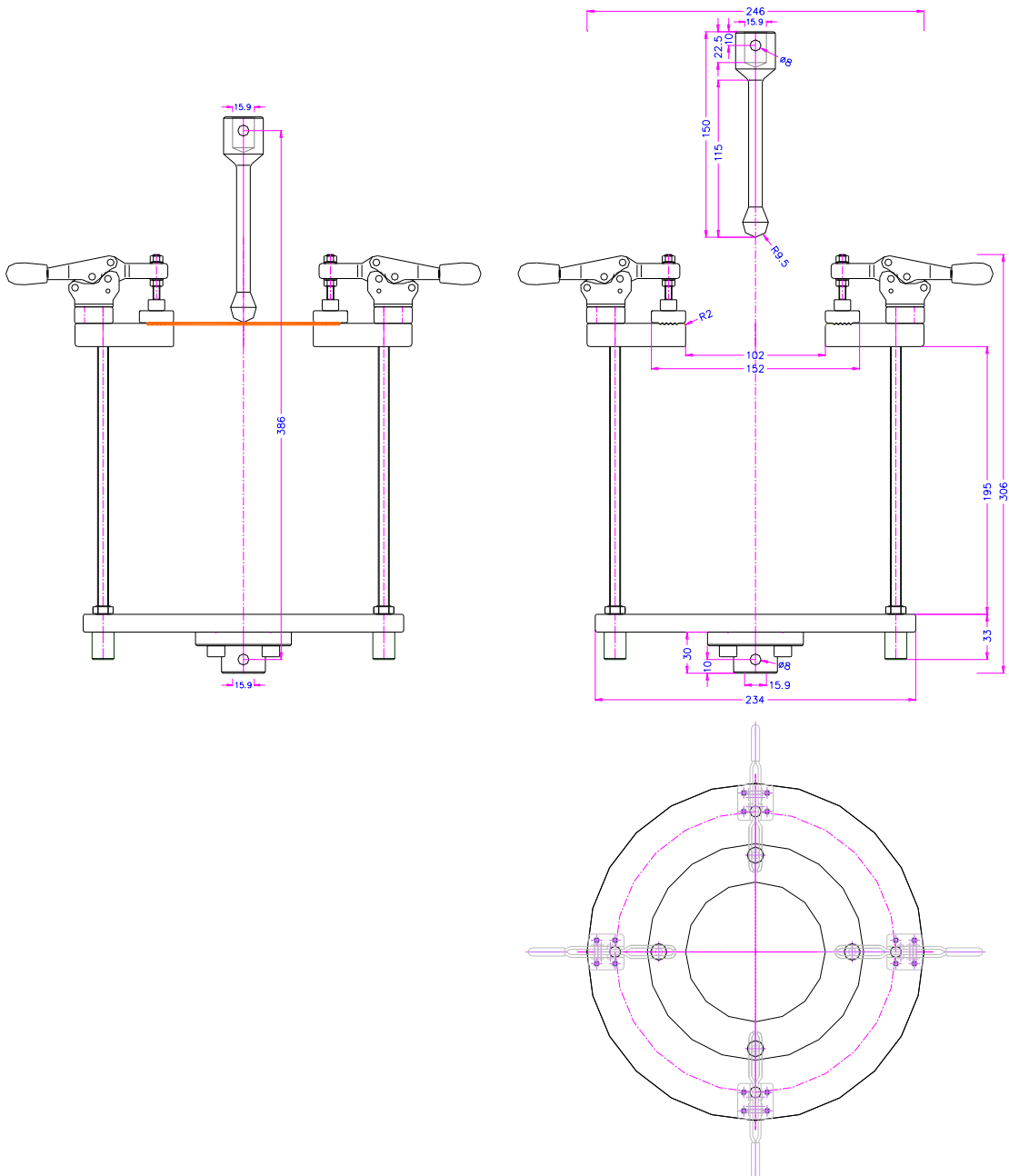


PUNCTURE FIXTURES

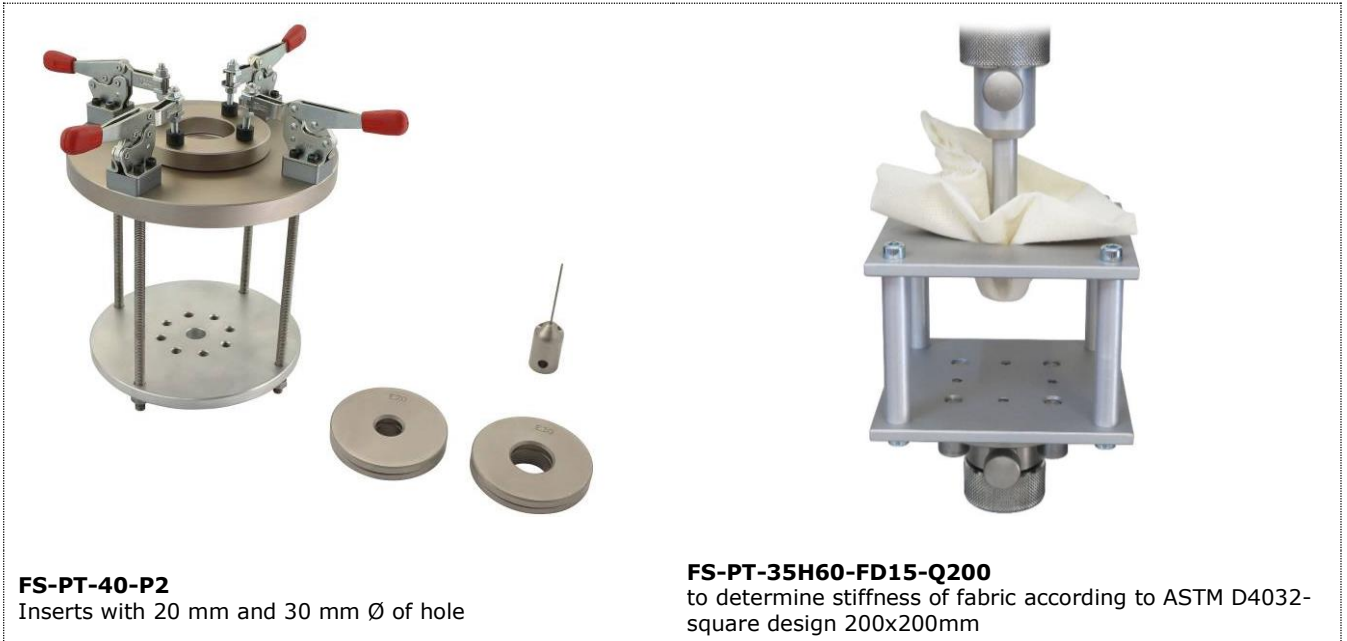
Item no.: FS-PT-ASTM D5748

ASTM D5748 Standard Test Method for Protrusion Puncture Resistance of Stretch Wrap Film

- Load capacity: 5 kN
- Material: Steel, nickel-plated
- Temperature range: 0 ... +70°C
Further temperature ranges available on request
- Scope of supply: 1 fixture



Example for custom made solutions:



FS-PT-40-P2
Inserts with 20 mm and 30 mm Ø of hole

FS-PT-35H60-FD15-Q200
to determine stiffness of fabric according to ASTM D4032-square design 200x200mm

Puncture testing fixtures are available based on a variety of testing standards such as:

ASTM D751
Standard Test Methods for Coated Fabrics

ASTM D1709
Impact Resistance of Plastic Film by the Free-Falling Dart Method

ASTM D3763
High Speed Puncture Properties of Plastics Using Load and Displacement Sensors

ASTM D5494
Determination of Pyramid Puncture Resistance of Unprotected and Protected Geomembranes

ASTM F1342
Protective Clothing Material Resistance to Puncture

DIN EN 863
Protective clothing. Mechanical properties. Test method: puncture resistance

DIN EN 388
Protective gloves against mechanical risks

DIN EN ISO 20344
Personal protective equipment - Test methods for footwear

DIN EN ISO 7765-1
Plastics film and sheeting - Determination of impact resistance by the free-falling dart method - Part 1: Staircase methods

DIN 53142-1
Testing of board - Puncture test - Part 1: Puncture test with a pendulum punching device

EN 12568
Foot and leg protectors - Requirements and test methods for toecaps and penetration resistant inserts

GOST 13525.8
Fibre intermediate products, paper and board. Method for determination of resistance to bursting

ISO 14704
Fine ceramics (advanced ceramics, advanced technical ceramics) - Test method for flexural strength of monolithic ceramics at room temperature

MIL-C-51251A
Cloth, coated; CBR protective

MIL-DTL-6396F
Tanks, fuel, oil, cooling fluids, internal, removable, non-self-sealing