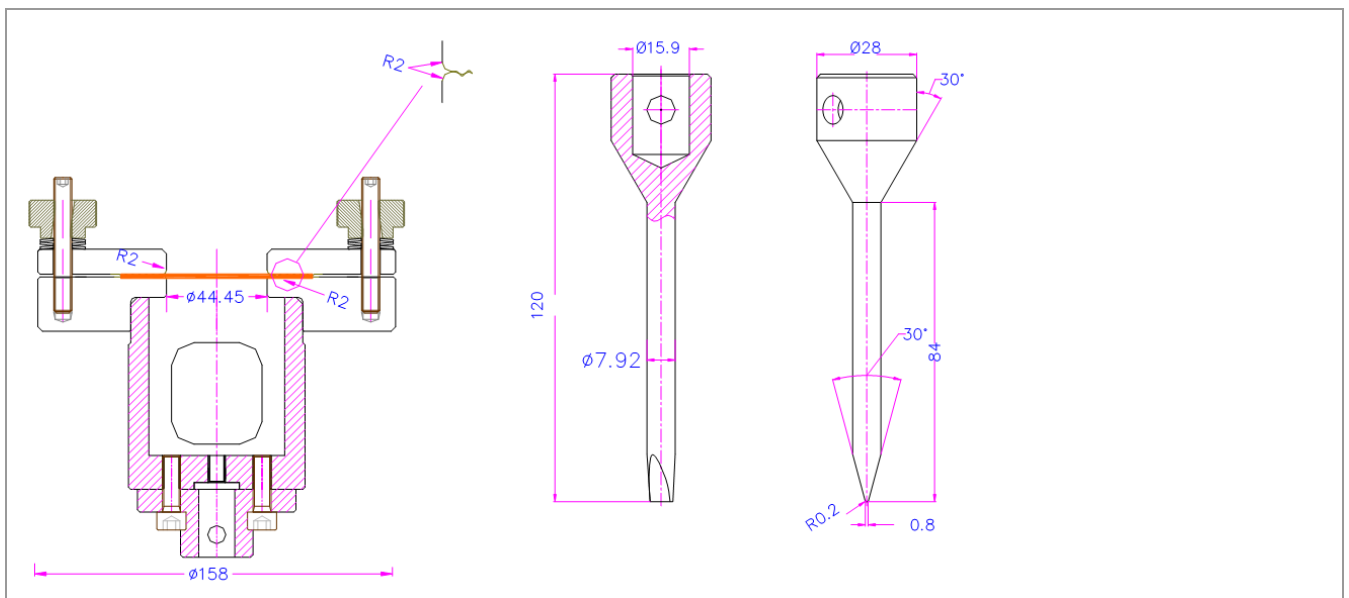


PUNCTURE FIXTURES

Item no.:	FS-PT-ASTM D751
ASTM D751	Standard Test Methods for Coated Fabrics
Load capacity:	20 kN 50 kN version also available
Material:	Steel, nickel-plated
Temperature range:	-40....+80°C Further temperature ranges available on request
Weight:	8 kg
Scope of delivery:	1 fixture including pin



Puncture testing fixtures are available based on a variety of testing standards such as:

ASTM D1709

Impact Resistance of Plastic Film by the Free-Falling Dart Method

ASTM D3763

High Speed Puncture Properties of Plastics Using Load and Displacement Sensors

ASTM D5494

Determination of Pyramid Puncture Resistance of Unprotected and Protected Geomembranes

ASTM F1342

Protective Clothing Material Resistance to Puncture

DIN EN 863

Protective clothing. Mechanical properties. Test method: puncture resistance

DIN EN 388

Protective gloves against mechanical risks

DIN EN ISO 20344

Personal protective equipment - Test methods for footwear

DIN EN ISO 7765-1

Plastics film and sheeting - Determination of impact resistance by the free-falling dart method - Part 1: Staircase methods

DIN 53142-1

Testing of board - Puncture test - Part 1: Puncture test with a pendulum punching device