

GV-5T Vise grip

Opening: 0 – 28 mm (depending on jaws)
Weight: 1.30 kg each grip (without jaws)

GV-5T-S50 Vise grip

Opening: 0 – 50 mm (depending on jaws)
Weight: 1.40 kg each grip (without jaws)

GV-5T-S100 Vise grip

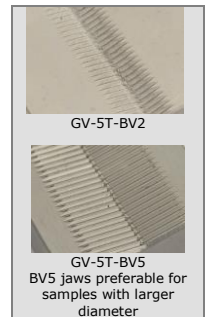
Opening: 0 – 106 mm (depending on jaws)
Weight: 2.30 kg each grip (without jaws)

- Tensile force: 5 kN
- Temperature range: 0°C - +70°C
Other temperature ranges possible on request
- Body: Steel, Nickel plated
- Scope of delivery: 1 pair (without jaws)
- Pneumatic version also available
(see data sheet GV-5T+Ko)



Jaws for GV-5T: Scope of delivery 1 set = 4 jaws

Item No.	Surface	Clamping surface H x W	Opening GV-5T	Opening GV-5T-S50	Opening GV-5T-S100	Weight per pair
GV-5T-B	Blank jaws	30x50mm	0-28mm	0-50mm	-	0.22kg
GV-5T-BG	Rubber jaws	30x50mm	0-26mm	0-48mm	-	0.23kg
GV-5T-BP	Pyramid jaws	30x50mm	0-28mm	0-50mm	-	0.21kg
GV-5T-BV2	V-jaws	30mm height	Ø 2-28mm	Ø 2-50mm	-	0.22kg
GV-5T-BV5	V-jaws	30mm height	Ø 5-28mm	Ø 5-50mm	-	0.25kg
GV-5T-BW	Wave jaws	30x50mm	0-28mm	0-50mm	-	0.20kg
GV-5T-BD	Diamond jaws	30x50mm	0-28mm	0-50mm	-	0.22kg
GV-5T-B80	Blank jaws	30x80mm	0-28mm	0-50mm	0-106mm	0.36kg
GV-5T-BG80	Rubber jaws	30x80mm	0-26mm	0-48mm	0-104mm	0.37kg
GV-5T-BP80	Pyramid jaws	30x80mm	0-28mm	0-50mm	0-106mm	0.34kg
GV-5T-BW80	Wave jaws	30x80mm	0-28mm	0-50mm	0-106mm	0.33kg
GV-5T-BD80	Diamond jaws	30x80mm	0-28mm	0-50mm	0-106mm	0.36kg
GV-5T-B100	Blank jaws	30x100mm	0-28mm	0-50mm	0-106mm	0.46kg
GV-5T-BG100	Rubber jaws	30x100mm	0-26mm	0-48mm	0-104mm	0.46kg
GV-5T-BP100	Pyramid jaws	30x100mm	0-28mm	0-50mm	0-106mm	0.43kg
GV-5T-BW100	Wave jaws	30x100mm	0-28mm	0-50mm	0-106mm	0.41kg
GV-5T-BD100	Diamond jaws	30x100mm	0-28mm	0-50mm	0-106mm	0.46kg



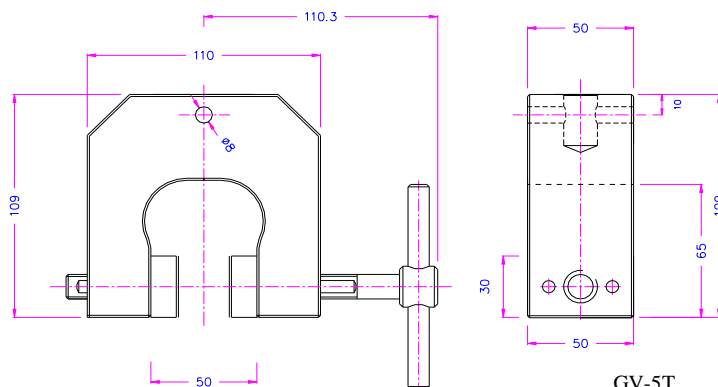
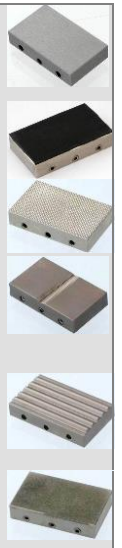
Inset jaws for GV-5T: Scope of delivery 1 set = 4 jaws

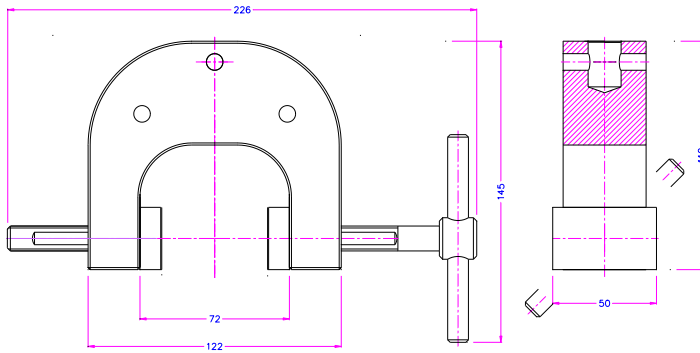
Quick change system - inset jaws require carriers (GV-5T-GT)

Item No.	Surface	Clamping surface H x W	Opening GV-5T	Opening GV-5T-S50	Weight per pair
GV-5T-GT	Carrier	-	-	-	0.19kg
GV-5T-EB	Blank inset jaws	30 x 50mm	0 - 18mm	0 - 40mm	0.14kg
GV-5T-EBG	Rubber inset jaws	30 x 50mm	0 - 16mm	0 - 38mm	0.14kg
GV-5T-EBP	Pyramid inset jaws	30 x 50mm	0 - 18mm	0 - 40mm	0.13kg
GV-5T-EBW	Wave inset jaws	30 x 50mm	0 - 18mm	0 - 40mm	0.12kg
GV-5T-EBD	Diamond inset jaws	30 x 50mm	0 - 18mm	0 - 40mm	0.14kg
GV-5T-EB100	Blank inset jaws	30 x 100mm	0 - 14mm	0 - 36mm	0.14kg
GV-5T-EBG100	Rubber inset jaws	30 x 100mm	0 - 12mm	0 - 34mm	0.14kg
GV-5T-EBP100	Pyramid inset jaws	30 x 100mm	0 - 14mm	0 - 36mm	0.13kg
GV-5T-EBW100	Wave inset jaws	30 x 100mm	0 - 14mm	0 - 36mm	0.14kg
GV-5T-EBD100	Diamond inset jaws	30 x 100mm	0 - 14mm	0 - 36mm	0.14kg

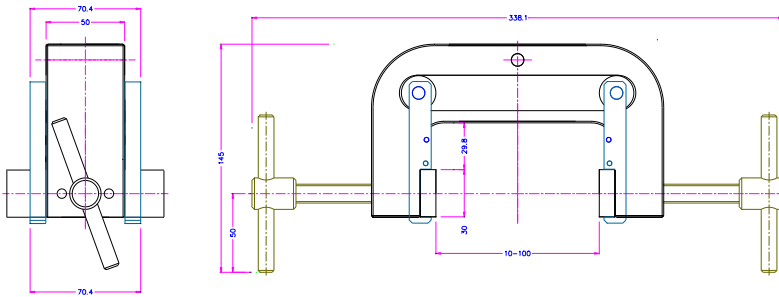
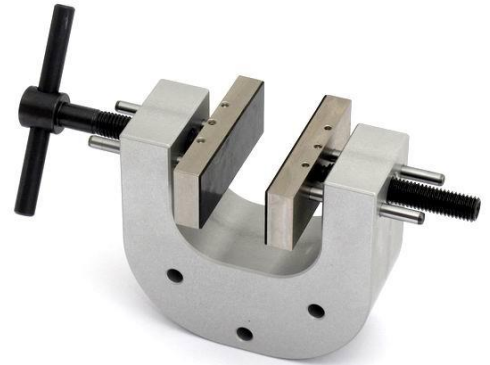


- Blank jaws**
 - Applicable for own further treatments
 - Steel blanks without coating
- Rubber jaws**
 - 1mm rubber coating (NBR)
 - Nickel plated
- Pyramid jaws**
 - Pyramids 1,2x45°
 - Hardened steel 58 HRC
 - Nickel plated
- V-jaws**
 - For all kinds of round samples
 - Tooth pitch 1.2 mm
 - Hardened steel 58HRC
 - Nickel plated
- Wave jaws**
 - For flexible materials
 - Wave 5 mm
 - Hardened steel 58HRC
 - Nickel plated
- Diamond jaws**
 - Clamping surface coated with synthetic diamonds
 - Nickel plated

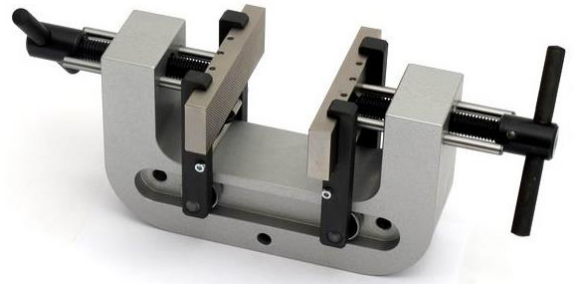




GV-5T-S50



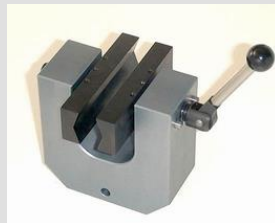
GV-5T-S100



Examples of special construction designs



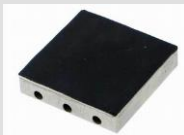
GV-5T-S50+GV-5T-BS12
Special jaws



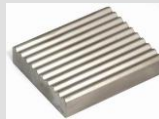
GV-5T+EL+BVs30x100
Quick release lever + Special jaws



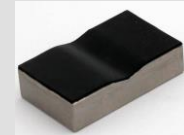
GV-5T-S70
Opening 0-70mm



GV-5T-BG50x50
HxW 50x50mm



GV-5T-BW50x60
HxW 50x60mm



GV-5T-BVG
Rubber coated V-jaws

Pneumatic versions (see data sheet GV-5T+ko)



GV-5T+Ko+BP



GV-5T+2Ko+BV