

Ribbon & Webbing Grips

GRW ribbon/webbing grips are applicable for soft and flexible samples such as ribbon, fabric, belt, strap, and yarn and can be used to test samples per ASTM/ISO test methods.

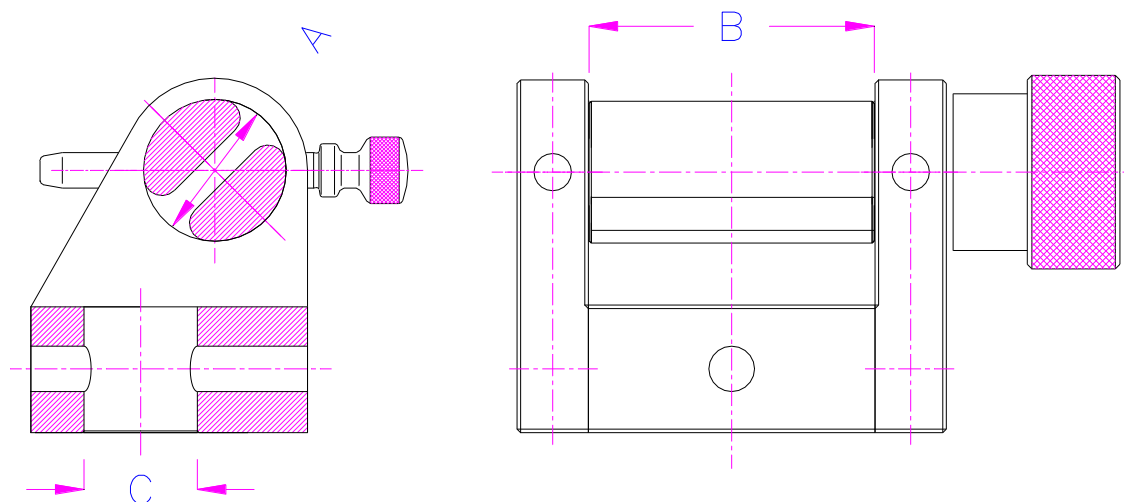
Depending on the friction coefficient of the specimen material, the test specimen will be wrapped once or multiple times around the roll. The minimum specimen length for each GRW model is specified in the table below (see page 2).

Standard temperature range: -40 to +280°C

Order information:

GRW grips are supplied in pairs but can also be ordered as a single grip (0.5 quantity).





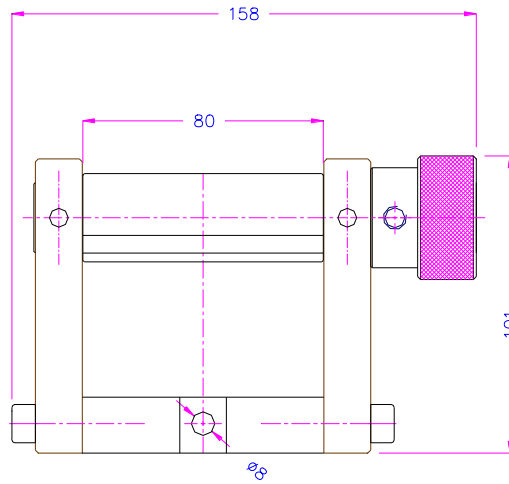
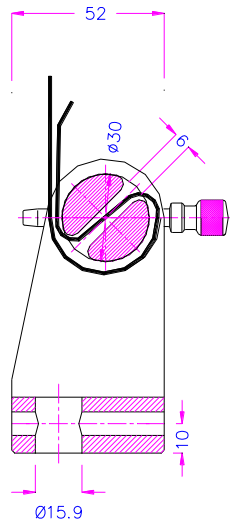
	GRW-20T	GRW-50T	GRW-100T-80	GRW-100T-100	GRW-100T-120-v1	GRW-100T-120-v2
Tensile Force Capacity	20 kN	50 kN	100 kN	100 kN	100 kN	100 kN
A: Roll diameter Ø	30 mm	40 mm	60 mm	60 mm	60 mm	80 mm
B: Max Specimen Width	80 mm	80 mm	80 mm	100 mm	120 mm	120 mm
Max Specimen Thickness	5 mm	7 mm	11 mm	11 mm	11 mm	11 mm
Minimum Specimen Length	460 mm	600 mm	910 mm	910 mm	910 mm	1160 mm
Roller Fillet Radius	3 mm	5 mm	7.5 mm	7.5 mm	7.5 mm	10 mm
C: Eye End Diameter*	15.9 mm	31.8 mm	40 mm	40 mm	40 mm	40 mm
Weight per Grip	2.3 kg	4.5 kg	7.3 kg	8.1 kg	8.8 kg	15 kg

*Further couplings, eye ends and threads, available to mount grips on all testing systems.

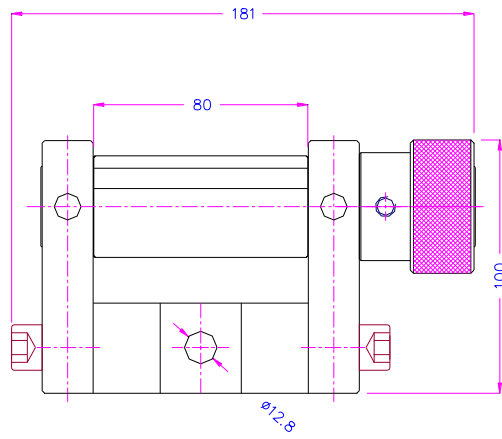
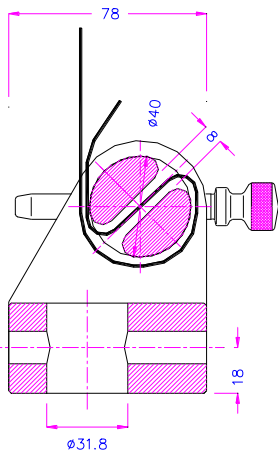


GRW-20T

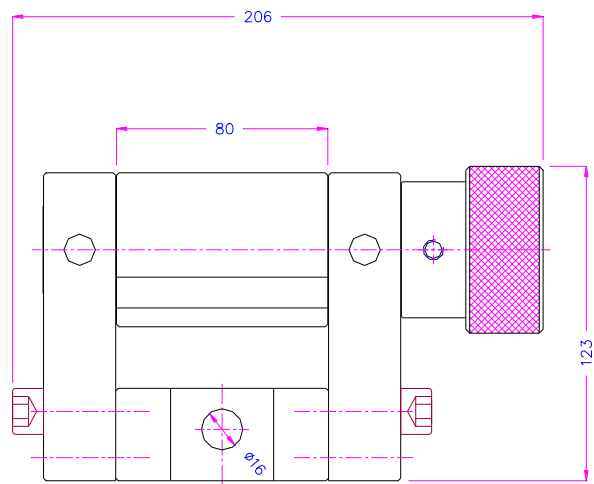
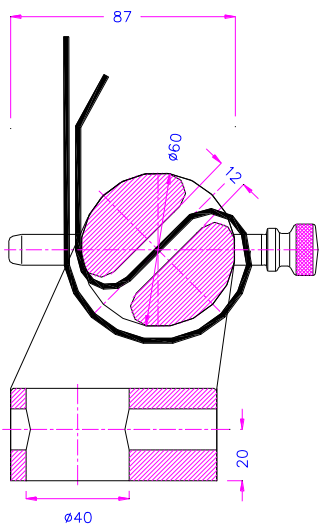
GRW-50T



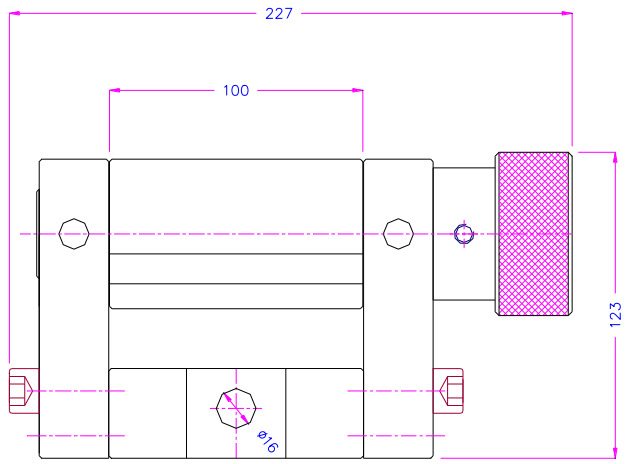
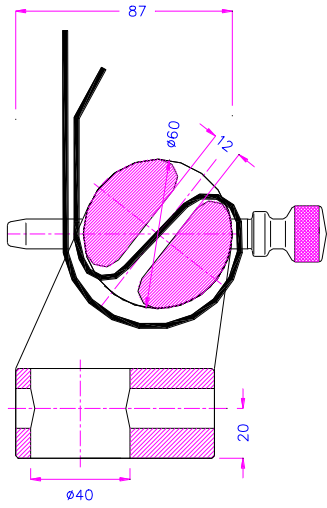
GRW-20T



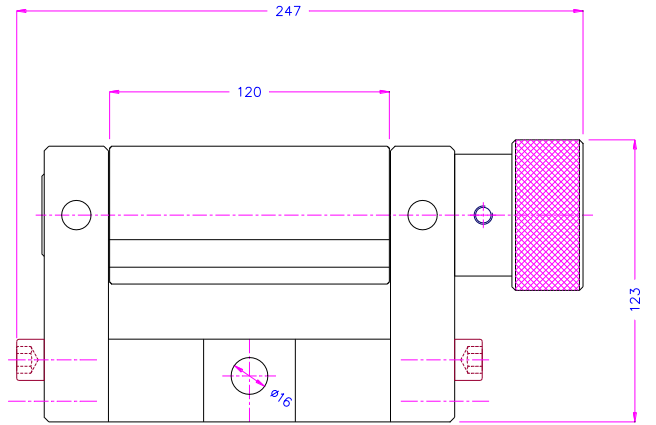
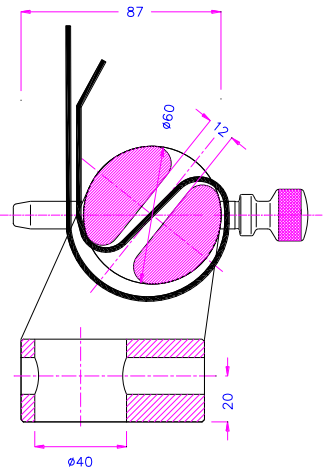
GRW-50T



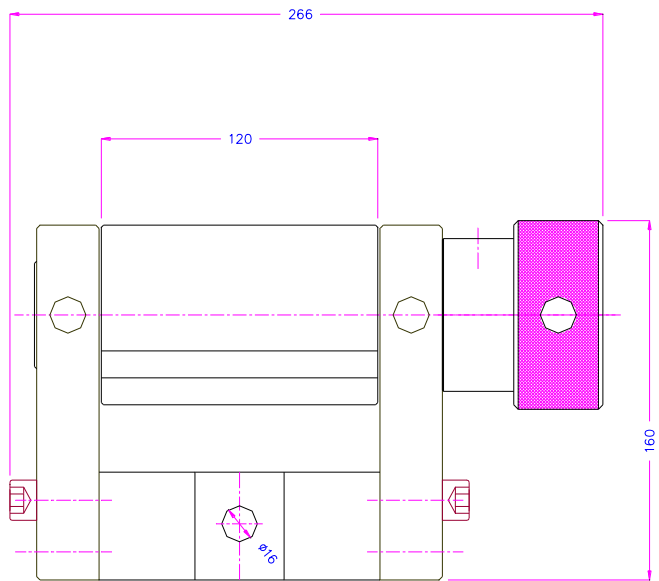
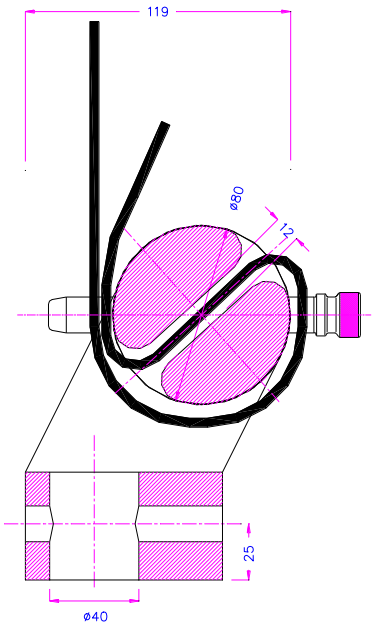
GRW-100T-80



GRW-100T-100



GRW-100T-120-v1



GRW-100T-120-v2

Custom Versions

	<p>GRW-6-40</p> <p>Ø Roll 6 mm 40 mm width Special small version</p>		<p>GRW-100-80-AL</p> <p>Ø Roll 100 mm 80 mm width Aluminum</p>
	<p>GRW-150-160</p> <p>Ø Roll 150 mm 160 mm width 300 kN</p>		<p>GRW-60-310</p> <p>Ø Roll 60 mm 310 mm width Steel Nickel</p>

	<p>GRW221-60-80</p>
--	---------------------

